

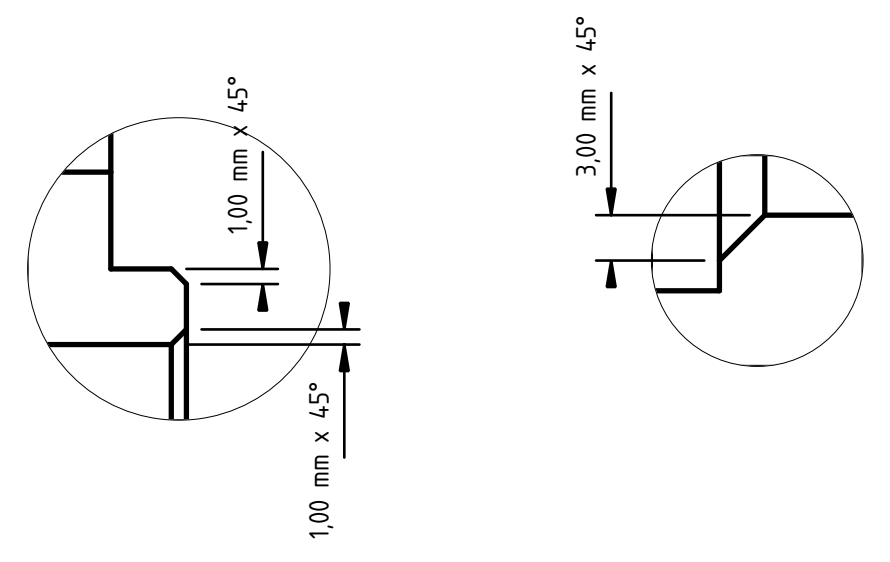
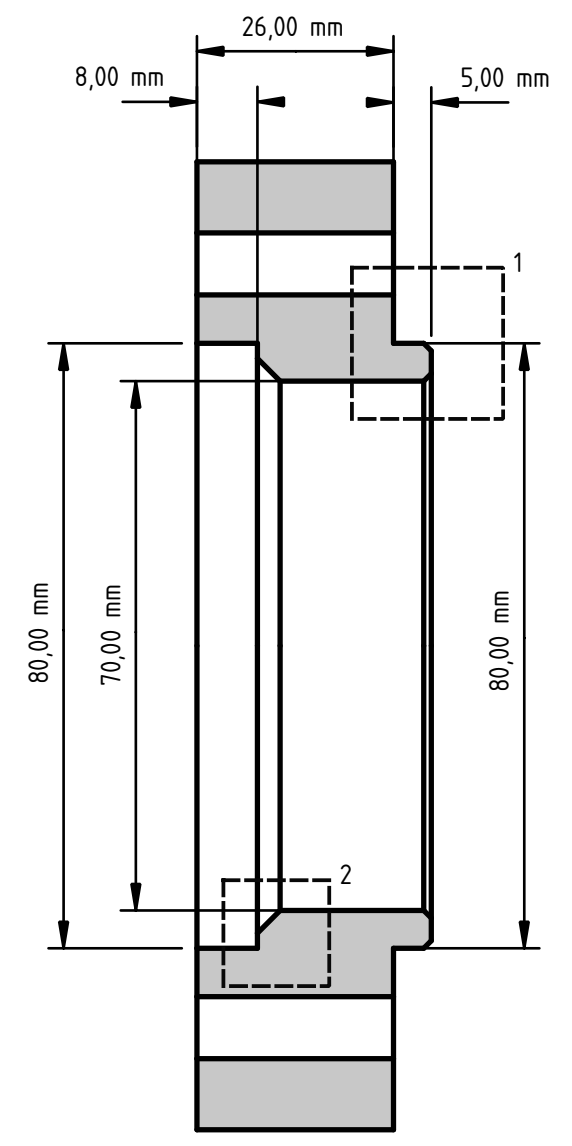
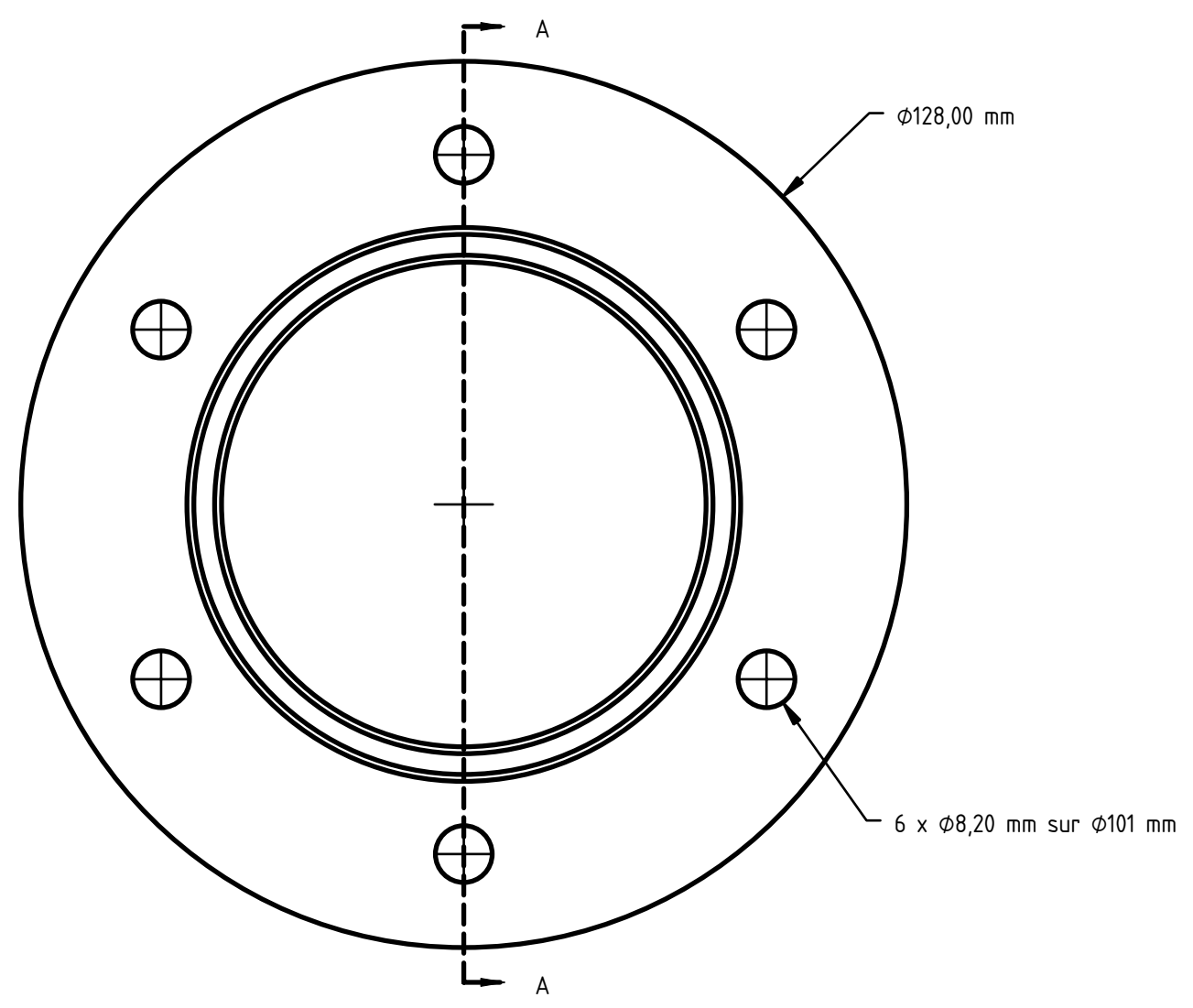
H G F E D C B A

4

3

2

1



DESIGNED BY:
P. STEFANELLI
 DATE:
9/5/20

CHECKED BY:
 SUPERVISOR NAME
 DATE:
 CHECK DATE

SIZE
A3

SCALE
1 : 1

ENTRETOISE
 DISQUE ARRIERE



DRAWING NUMBER
 NUMBER

SHEET
 SHEET

I	-
H	-
G	-
F	-
E	-
D	-
C	-
B	-
A	-

This drawing is our property; it can't be reproduced or communicated without our written agreement.

H G B A

4

3

2

1