

F

E

D

C

B

A

4

3

2

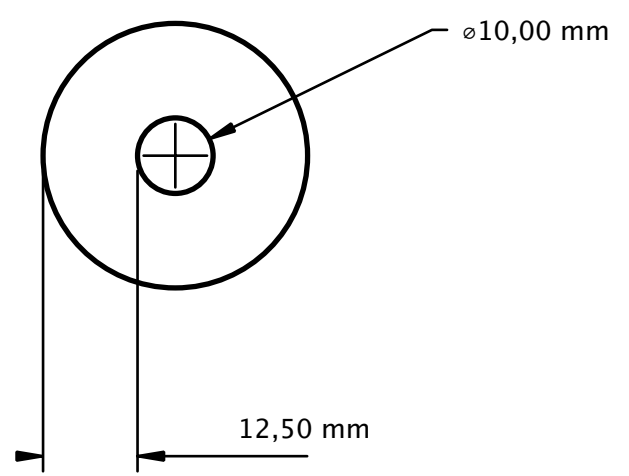
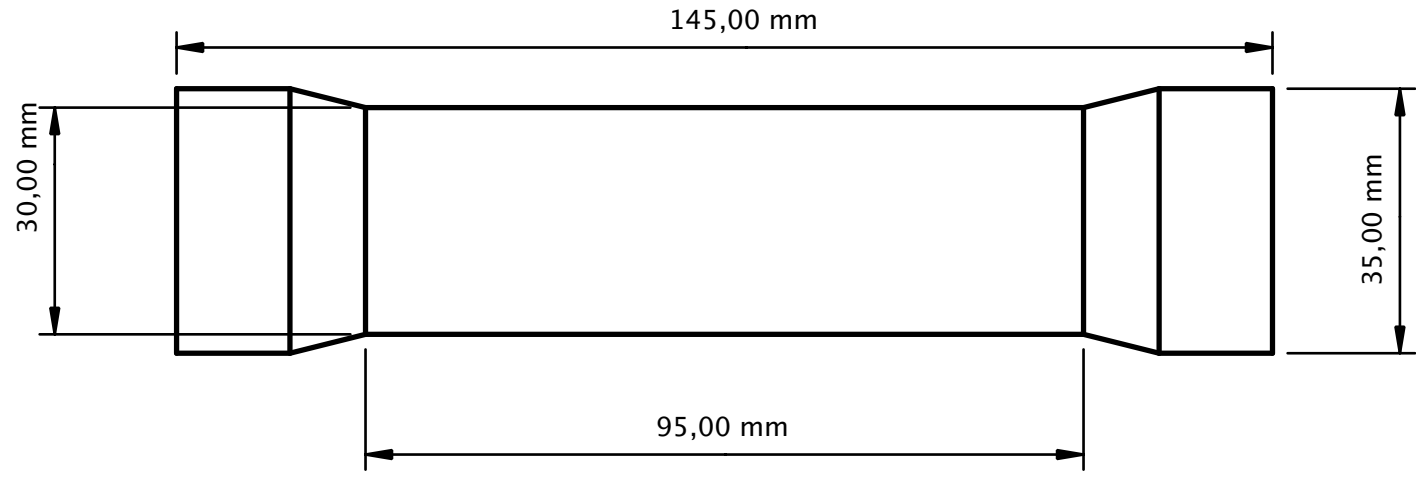
1

4

3

2

1



DESIGNED BY: Designed by Name		Title		G	—
DATE: Date		Subtitle		F	—
SIZE A4				E	—
				D	—
SCALE Scale		WEIGHT (kg) Weight		C	—
		DRAWING NUMBER Drawing number		B	—
		SHEET Sheet		A	—
This drawing is our property; it can't be reproduced or communicated without our written consent.					



F

E

D