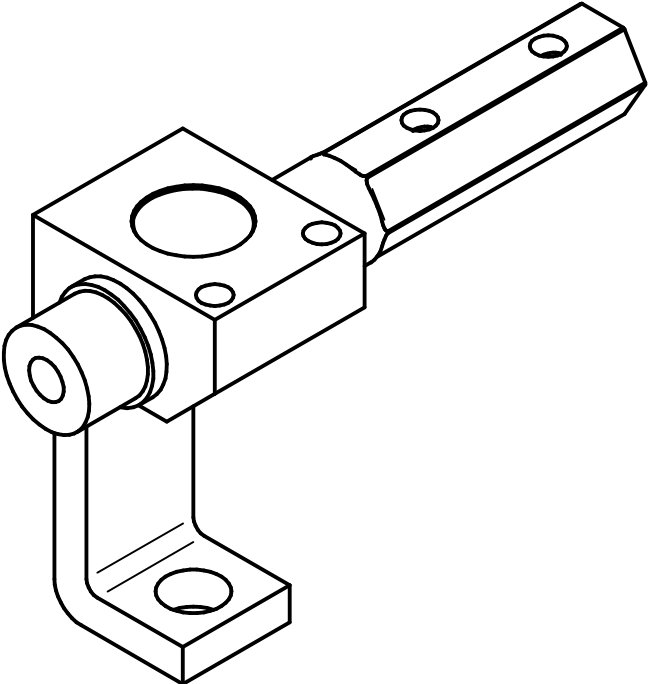


REVISION HISTORY			
REV	DESCRIPTION	DATE	APPROVED



	NAME	DATE		
DRAWN	L.PARIS	25/04/2020		
CHECKED			TITLE	
ENG APPR			AXLE	
MGR APPR			SIZE	DWG NO
tolerances generales ISO 2768-mK			A4	REV
				B
			FILE NAME: 12345_A1_AXLE_0.dft	
SCALE: 1:1		WEIGHT:	SHEET 1 OF 1	