

F

E

D

C

B

A

4

3

2

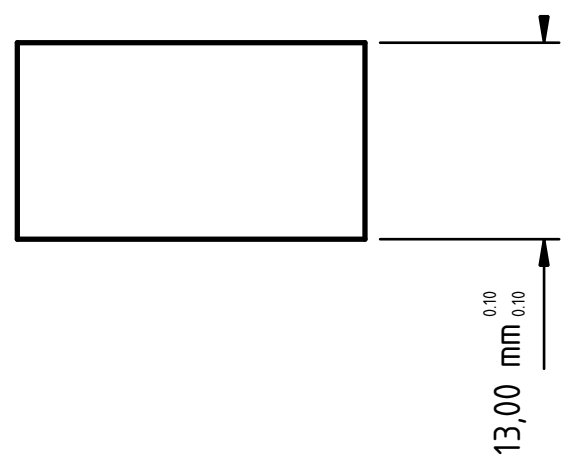
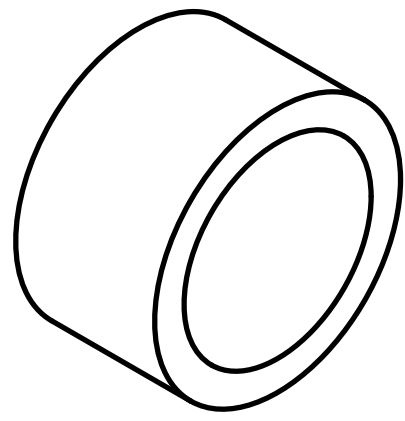
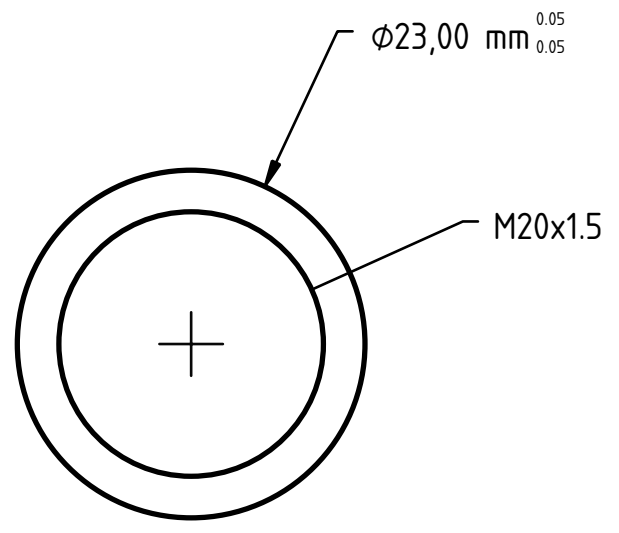
1


4

3

2

1



DESIGNED BY: OSQ		Adapt. ther. sèche serviette		G	—
DATE: 06/04/2020		Laiton		F	—
SIZE A4				E	—
				D	—
SCALE 2:1	WEIGHT (kg) -	DRAWING NUMBER 0000000000000002	SHEET 1/1	C	—
This drawing is our property; it can't be reproduced or communicated without our written consent.				B	—
				A	—

F

E

D