

D

C

B

A

4

3

2

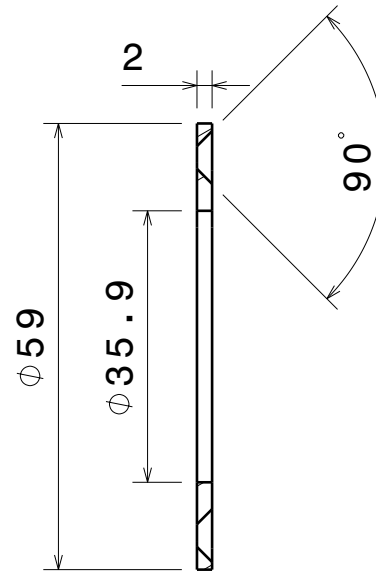
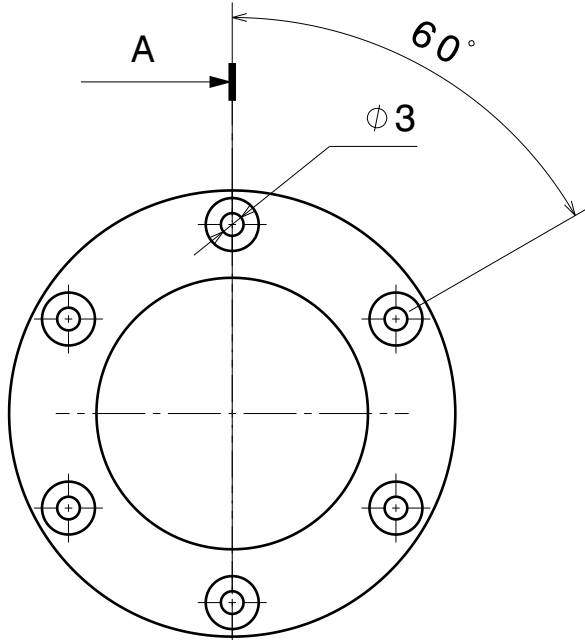
1

4

3

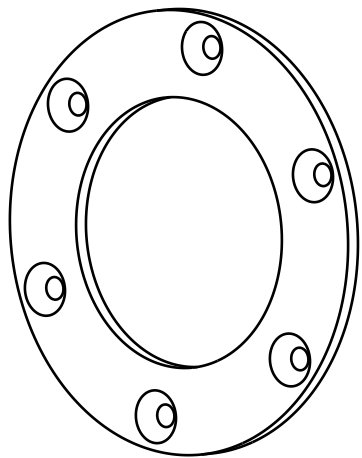
2

1



Vue de face
Echelle : 1:1

Coupe A-A
Echelle : 1:1



Vue isométrique
Echelle : 1:1

A

DESIGNED BY: Robin	<h1>Bague vilo</h1>
DATE: 04/04/2020	
CHECKED BY: XXX	<h1>PV3e</h1>
DATE: XXX	

SIZE A4	
-------------------	--

SCALE 1:1	WEIGHT (kg) Aluminium
---------------------	---------------------------------

DRAWING NUMBER Bague vilo trans	SHEET 1/1
---	---------------------

I	-
H	-
G	-
F	-
E	-
D	-
C	-
B	-
A	-

This drawing is our property; it can't be reproduced or communicated without our written agreement.

D

A