

F

E

D

C

B

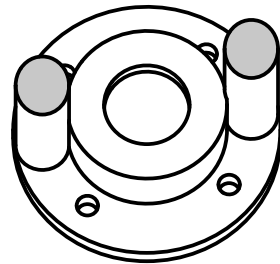
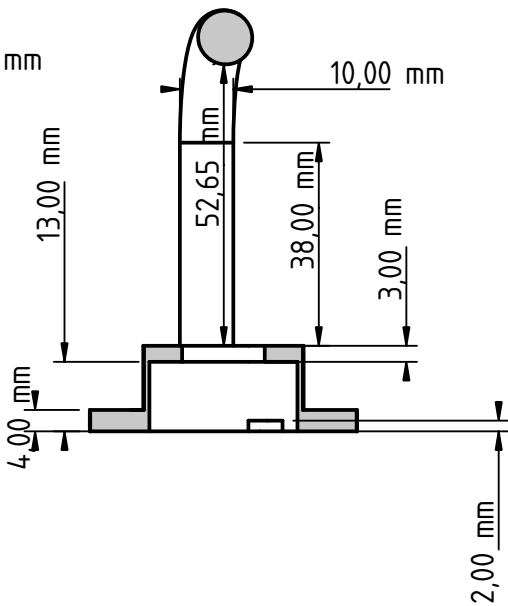
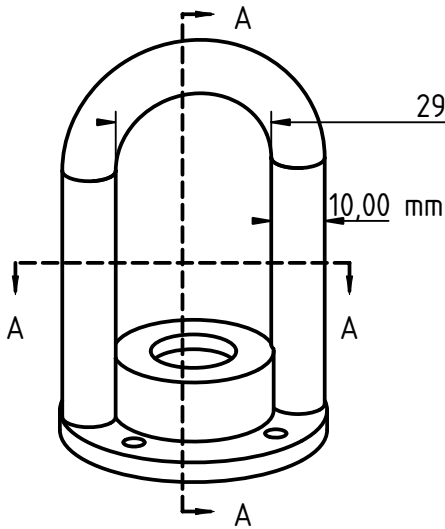
A

4

3

2

1



DESIGNED BY: <b>Designed by Name</b>		<b>Title</b>		G	-
DATE: <b>Date</b>		<b>Subtitle</b>		F	-
SIZE <b>A4</b>				E	-
SCALE	WEIGHT (kg)	DRAWING NUMBER	SHEET	D	-
<b>Scale</b>	<b>Weight</b>	<b>Drawing number</b>	<b>Sheet</b>	C	-
This drawing is our property; it can't be reproduced or communicated without our written consent.				B	-
				A	-

F

E

D

