

F

E

D

C

B

A

4

4

3

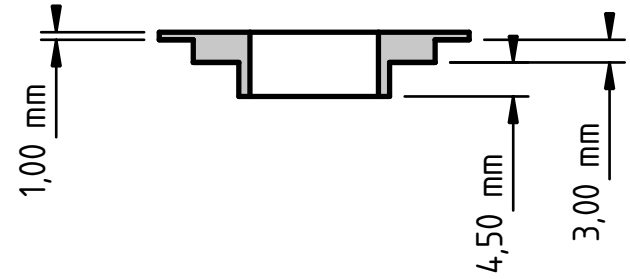
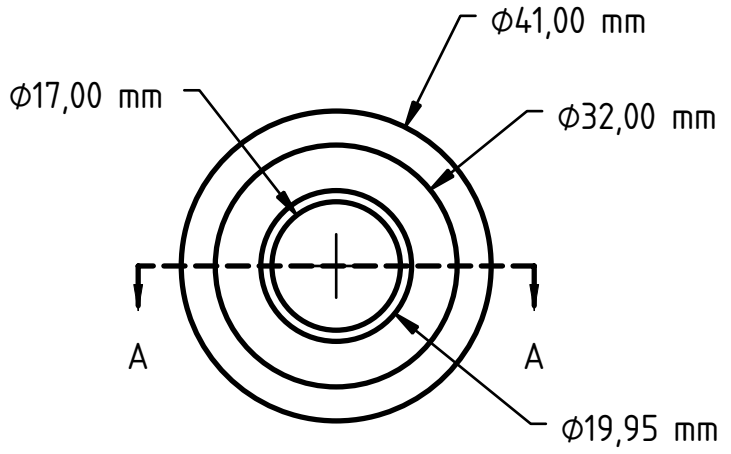
3


2

2

1

1



DESIGNED BY: <b>RG</b>		<b>Entretoise arrière gauche</b>		G	—
DATE: <b>20/03/2020</b>		Matière: Inox Tolérances: +/- 0,1mm		F	—
SIZE <b>A4</b>				E	—
				D	—
SCALE <b>1/1</b>	WEIGHT (kg) <b>Weight</b>	DRAWING NUMBER <b>Drawing number</b>	SHEET <b>1</b>	C	—
This drawing is our property; it can't be reproduced or communicated without our written consent.				B	—
				A	—

F

E

D