

F E D C B A

4

3

2

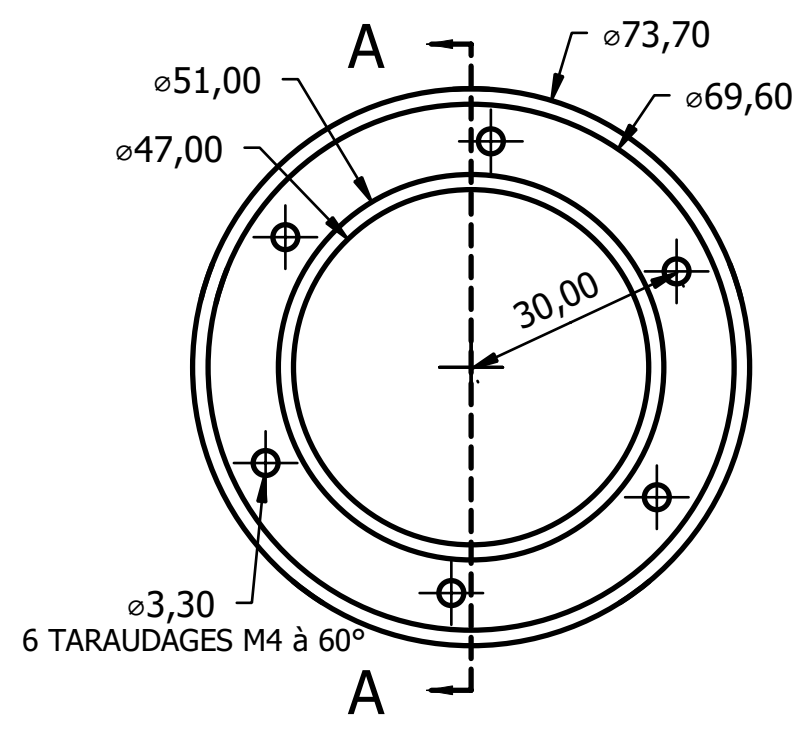
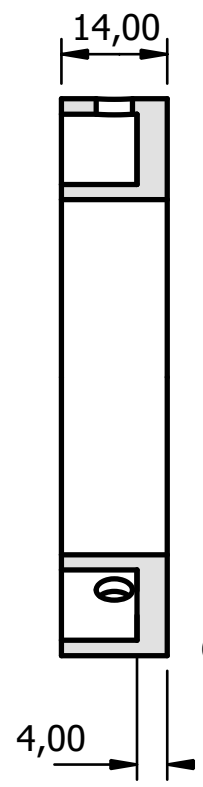
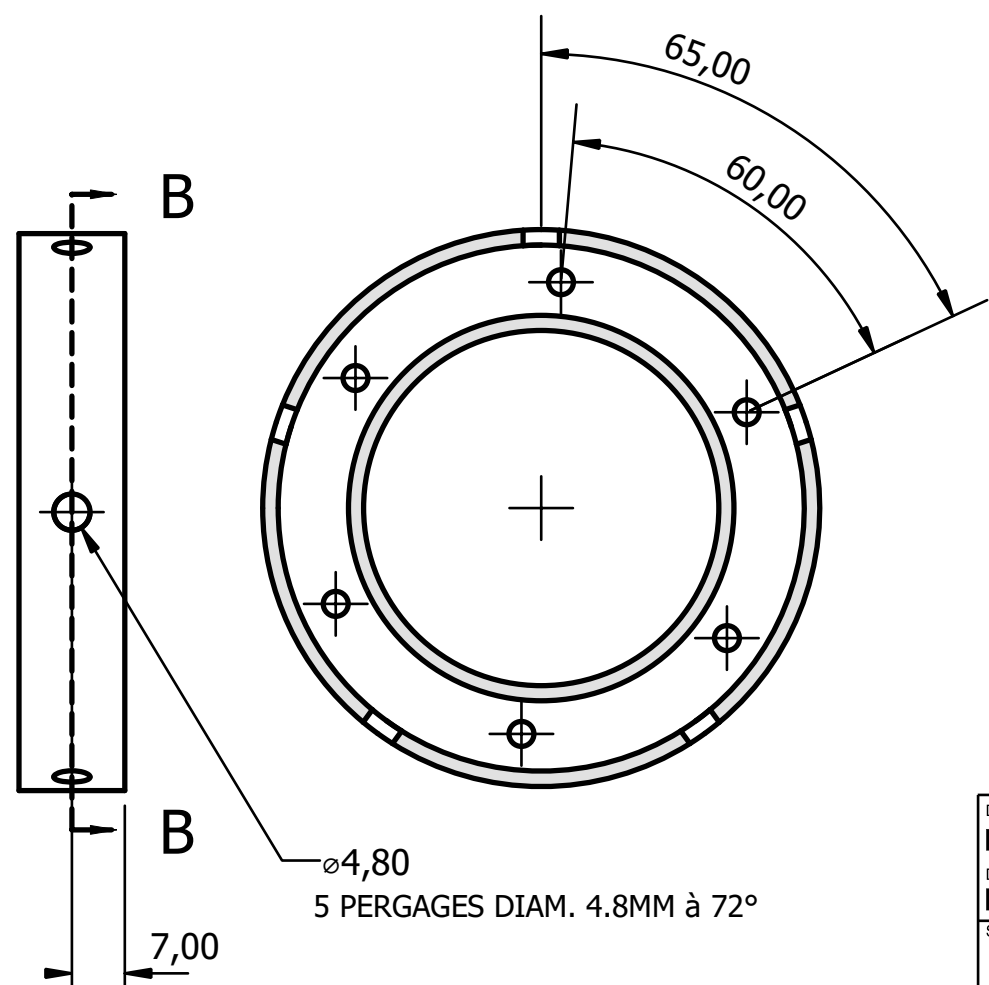
1


4

3

2

1



DESIGNED BY: EG		Embout échap. supertrapp 3"		G	—	
DATE: Date		Matière: Inox Tolérances: +/-0,1mm		F	—	
SIZE A4				E	—	
SCALE 1:1				SCALE	WEIGHT (kg) 0.13	DRAWING NUMBER
WEIGHT (kg) 0.13		SCALE 1/1		C	—	
DRAWING NUMBER		SHEET 1/1		B	—	
This drawing is our property; it can't be reproduced or communicated without our written consent.				A	—	

F E D