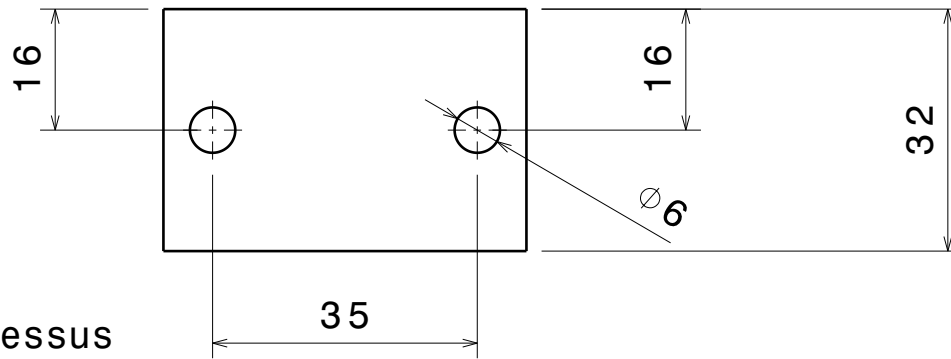
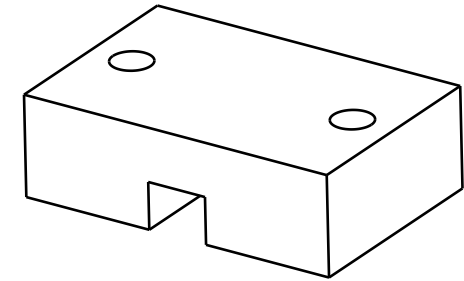


Vue de face  
Echelle : 1:1



Vue de dessus  
Echelle : 1:1



Vue isométrique  
Echelle : 1:1

DESIGNED BY: <b>chris</b>		Ply Name	Blocage axe	I	-
DATE: <b>02/02/2020</b>		Material	Acier	H	-
CHECKED BY: <b>XXX</b>		Direction	XXXX	G	-
DATE: <b>XXX</b>		Thickness	XXXX	F	-
SIZE <b>A4</b>		SequenceID	XXXX	E	-
SCALE <b>1:1</b>	WEIGHT (kg) <b>XXX</b>	Quantité	2	D	-
				C	-
				B	-
				A	-

This drawing is our property; it can't be reproduced or communicated without our written agreement.

D

A