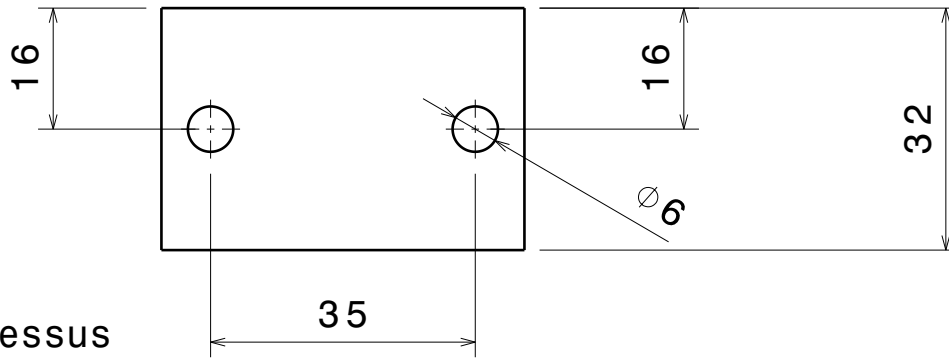
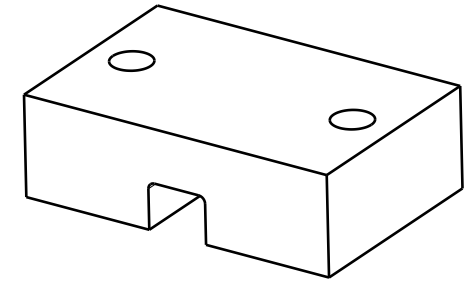


Vue de face  
Echelle : 1:1



Vue de dessus  
Echelle : 1:1



Vue isométrique  
Echelle : 1:1

DESIGNED BY: chris		Ply Name	Blocage axe	I	-
DATE: 02/02/2020		Material	Acier	H	-
CHECKED BY: XXX		Direction	XXXX	G	-
DATE: XXX		Thickness	XXXX	F	-
SIZE A4		SequenceID	XXXX	E	-
SCALE 1:1	WEIGHT (kg) XXX	Quantité	2	D	-
This drawing is our property; it can't be reproduced or communicated without our written agreement.				C	-
				B	-
				A	-

D

A