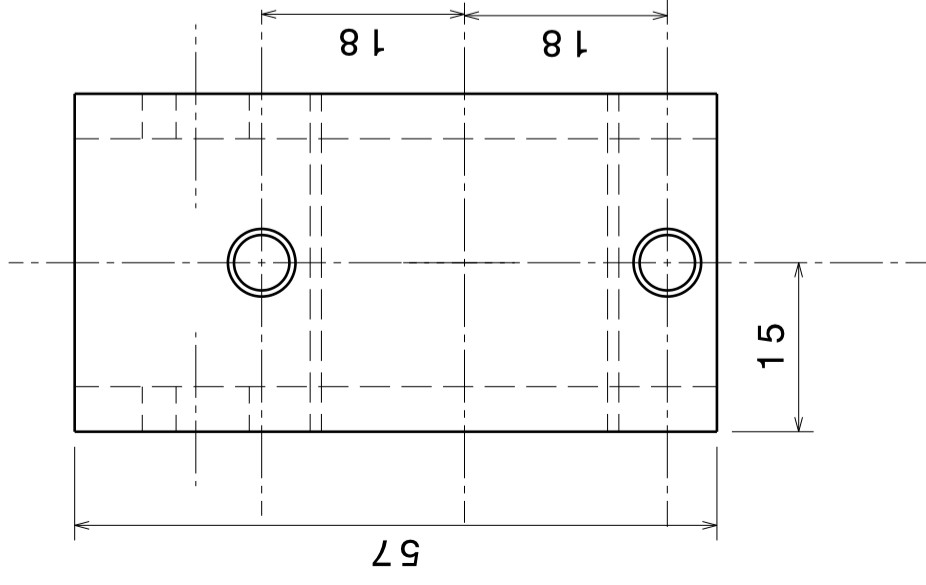
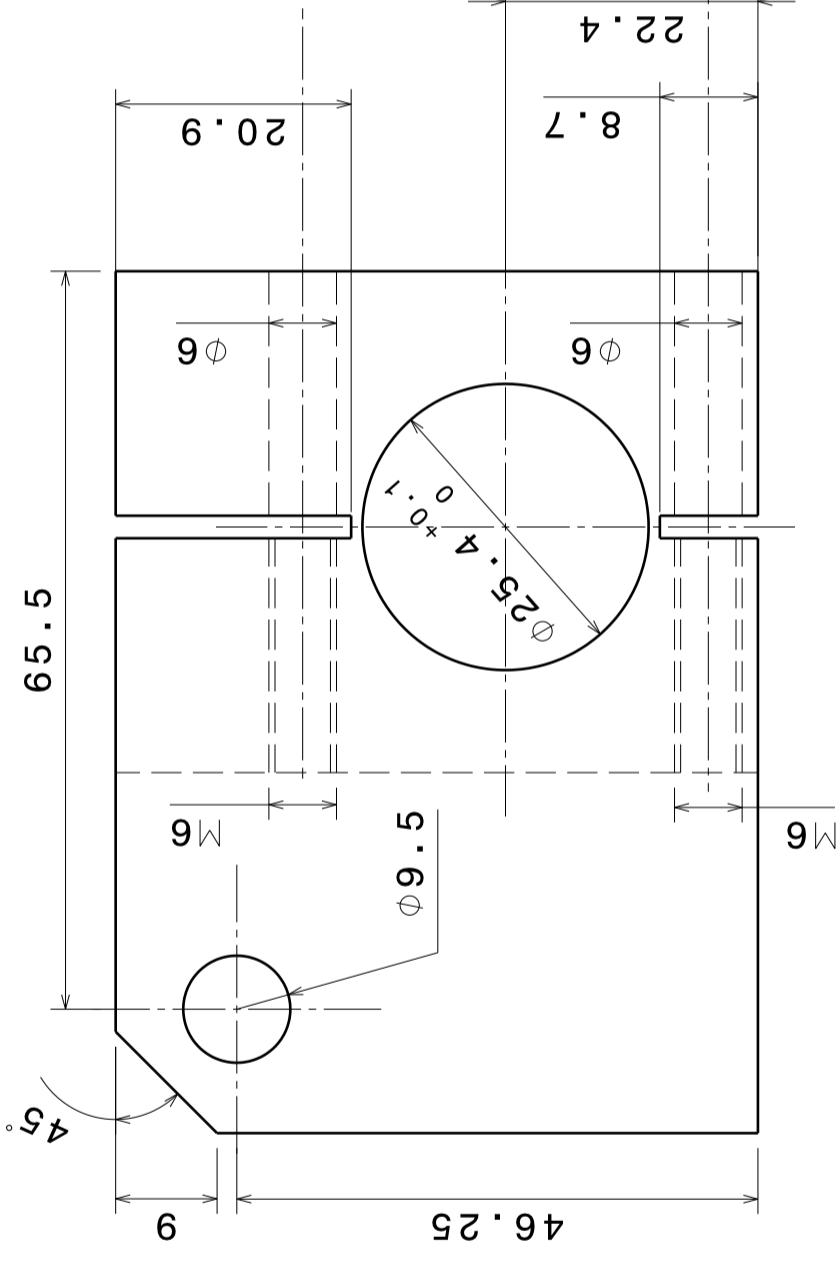
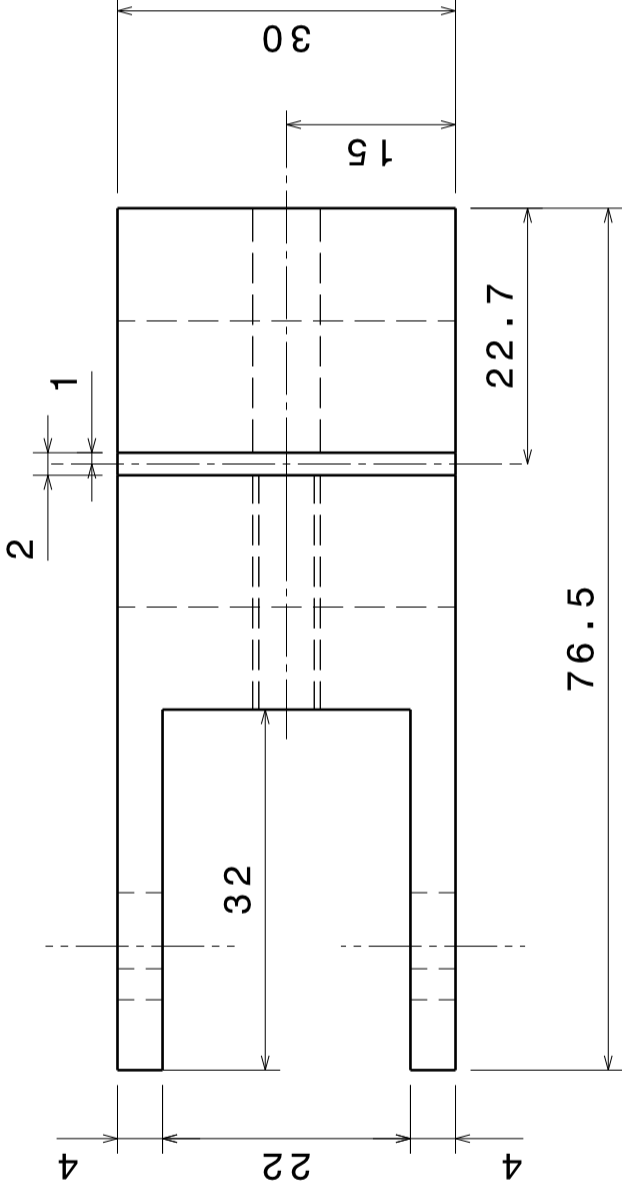


Vue isométrique
Echelle : 1:2

Nombre: 1
Matière: acier
Tolérance générale: +/- 0.1 mm



This drawing is our property.
It can't be reproduced
or communicated without
our written agreement.

DRAWN BY	DATE
J.P. Rivet	27/01/2020
CHECKED BY	DATE
J.P. Rivet	27/01/2020
DESIGNED BY	DATE
J.P. Rivet	27/01/2020

OBSERVATOIRE DE LA COTE D'AZUR - C2PU

DRAWING TITLE

BRIDE POUR VERIN ELECTRIQUE

SIZE	DRAWING NUMBER	REV
A3	04.01.001.003.000	1
SCALE	3:2 WEIGHT (kg)	SHEET
	0.557	1/1

A

B

G

H

4

3

2

1

4

3

2

1