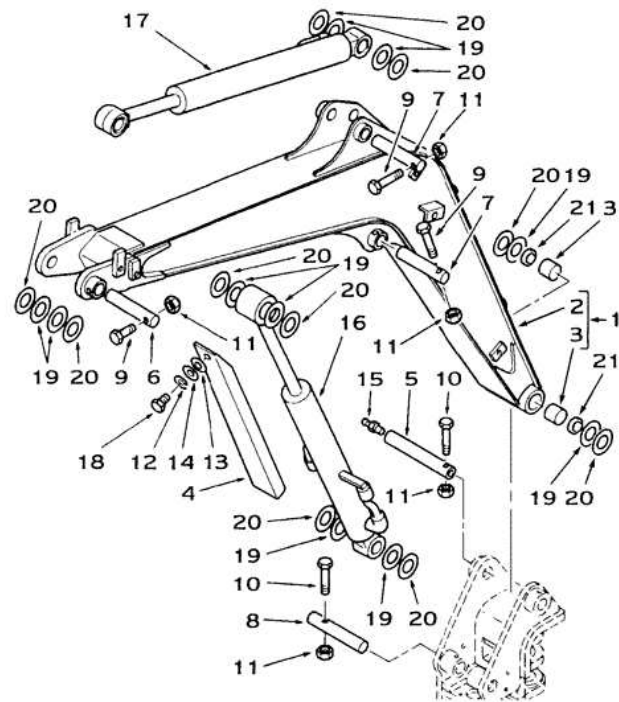


Numéro de série:

Chemin de navigation: Case CE EUR > LIGHT EQUIPMENT > MINI CRAWLER EXCAVATOR > CASE > 28 - CASE MINI-EXCAVATOR (3/94-12/00) > 12 - Chassis/Attachments > 09-153 - BOOM >



Numéro de série:

Chemin de navigation: Case CE EUR > LIGHT EQUIPMENT > MINI CRAWLER EXCAVATOR > CASE > 28 - CASE MINI-EXCAVATOR (3/94-12/00) > 12 - Chassis/Attachments > 09-153 - BOOM >

Ref	Qty	Part #	Part Description	Usage
1	1	6010507M92	BOOM	Consists Of Ref. Numbers 2, 3, Replaces 6010507M91
2	1	NSS	NOT SOLD SEPARAT	Boom
3	2	6005293M2	BUSHING	50 x 40 x 40
4	1	6010508M91	COVER	
5	1	6005751M3	PIN	dia 40
6	1	6005752M1	PIN	dia 40 x 200
7	2	6005753M1	PIN	dia 40
8	1	6005754M1	PIN	dia 40
9	3	6007785M1	SCREW	M10 x 80; 10.9
9	3	3009502X1	BOLT	M10 x 80; 8.8
10	2	1441106X1	BOLT	M10 x 100; 10.9
10	2	3009504X1	BOLT	M10 x 100; 8.8
11	5	1440329X1	NUT	M10, Replaces 3009693X1
12	1	339374X1	WASHER, LOCK	W8
13	1	6005816M1	WASHER	
14	1	6007015M1	WASHER	
15	1	47044682	LUBE NIPPLE	
16	1	6010190M91	CYLINDER ASSY.	Boom, See Page(s) 08-377

Numéro de série:

Chemin de navigation: Case CE EUR > LIGHT EQUIPMENT > MINI CRAWLER EXCAVATOR > CASE > 28 - CASE MINI-EXCAVATOR (3/94-12/00) > 12 - Chassis/Attachments > 09-153 - BOOM >

Ref	Qty	Part #	Part Description	Usage
16	1	6010798M91	CYLINDER ASSY.	Boom, See Page(s) 08-379
17	1	6010189M91	CYLINDER ASSY.	Dipperstick, See Page(s) 08-395
17	1	6010800M91	CYLINDER ASSY.	Dipperstick, See Page(s) 08-397
18	1	6007752M1	BOLT	M8 x 16; 10.9
18	1	16043224	BOLT,Hex, M8 x 16mm, Cl 8.8	
19	X	6006398M1	SHIM	70 x 41 x 1,0
20	X	6006541M1	SHIM	70 x 41 x 0,2
21	2	6008193M1	GASKET	