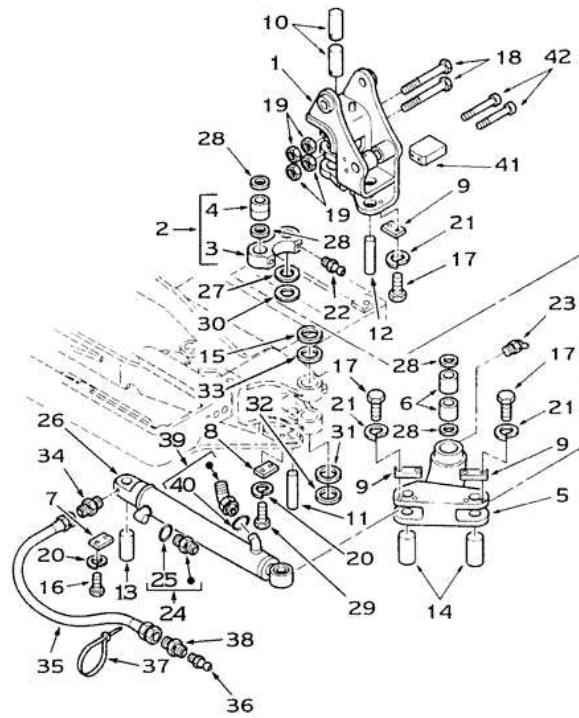


Numéro de série:

Chemin de navigation: Case CE EUR > LIGHT EQUIPMENT > MINI CRAWLER EXCAVATOR > CASE > 28 - CASE MINI-EXCAVATOR (3/94-12/00) > 12 - Chassis/Attachments > 09-141 - BOOM OFFSET >



Numéro de série:

Chemin de navigation: Case CE EUR > LIGHT EQUIPMENT > MINI CRAWLER EXCAVATOR > CASE > 28 - CASE MINI-EXCAVATOR (3/94-12/00) > 12 - Chassis/Attachments > 09-141 - BOOM OFFSET >

Ref	Qty	Part #	Part Description	Usage
1	1	6010502M94	SUPPORT	Replaces 6010502M91, 6010502M92, 6010502M93
2	1	6010503M91	POWER ARM	Consists Of Ref. Numbers 3, 4
3	1	NSS	NOT SOLD SEPARAT	Rod, Connecting
4	2	6006536M2	BUSHING	55 x 45 x 45
5	1	6010504M91	LINK ASSY.	Consists Of Ref. Number 6
6	2	6005044M2	BUSHING	55 x 45 x 45
7	1	6005757M2	LARGE PLATE	PLATE, LARGE
8	1	6005750M2	PLATE, LOCKING	
9	3	6005774M2	LARGE PLATE	PLATE, LARGE
10	2	6005771M3	PIN	dia 55
11	1	6005775M2	LARGE PIN	PIN, LARGE , dia 45
12	1	6005776M2	LARGE PIN	PIN, LARGE , dia 45
13	1	6005777M2	LARGE PIN	PIN, LARGE , dia 45
14	2	6005764M2	LARGE PIN	PIN, LARGE , dia 45
15	1	6006543M1	WASHER	
16	4	6008188M1	BOLT	M12 x 20, 28 DBK0005001- DBK0005373
16	4	339020X1	BOLT	M12 x 20, 28 DBK0005374-
17	6	6007774M1	BOLT	M10 x 20
17	6	3009491X1	SCREW	M10 x 20

Numéro de série:

Chemin de navigation: Case CE EUR > LIGHT EQUIPMENT > MINI CRAWLER EXCAVATOR > CASE > 28 - CASE MINI-EXCAVATOR (3/94-12/00) > 12 - Chassis/Attachments > 09-141 - BOOM OFFSET >

Ref	Qty	Part #	Part Description	Usage
18	2	6007788M1	SCREW	M10 x 130
18	2	814-10130	BOLT,Hex, M10 x 1.5 x 130mm, Cl 8.8	
19	4	86500689	NUT,M10 x 1.5, Cl 10	
20	4	339369X1	WASHER, LOCK	W12
21	6	339376X1	WASHER, LOCK	W10
22	2	47044682	LUBE NIPPLE	
23	1	391335X1	NIPPLE, LUBE	NIPPLE
24	1	6007687M91	ADAPTER	Consists Of Ref. Number 25
25	1	6008489M1	O-RING	
26	1	6010192M91	CYLINDER ASSY.	See Page(s) 8-365
26	1	6010796M91	CYLINDER ASSY.	See Page(s) 8-367
27	X	6008180M1	SHIM	76 x 46 x 0,5
28	6	6006003M1	SEAL	
29	2	6008188M1	BOLT	M12 x 20, 28 DBK0005001- DBK0005373
29	2	339020X1	BOLT	M12 x 20, 28 DBK0005374-
30	X	6008886M1	SHIM	76 x 46 x 1,0
31	X	6006538M1	SHIM	90 x 57 x 0,5
32	X	6008179M1	SHIM	90 x 57 x 1,0
33	1	6006517M2	WASHER	

Numéro de série:

Chemin de navigation: Case CE EUR > LIGHT EQUIPMENT > MINI CRAWLER EXCAVATOR > CASE > 28 - CASE MINI-EXCAVATOR (3/94-12/00) > 12 - Chassis/Attachments > 09-141 - BOOM OFFSET >

Ref	Qty	Part #	Part Description	Usage
34	1	6006036M1	FITTING	
35	1	6005982M91	HOSE ASSY.	
36	1	47044763	NIPPLE, LUBE	NIPPLE
37	1	1862425M1	MOUNTING CLIP	
38	1	6009201M2	FITTING	
39	1	6008140M91	ADAPTER	Consists Of Ref. Number 40
40	1	6008489M1	O-RING	
41	1	6010506M1	LARGE PLATE	PLATE, LARGE
42	2	3009300X1	CAPSCREW	M12 x 70