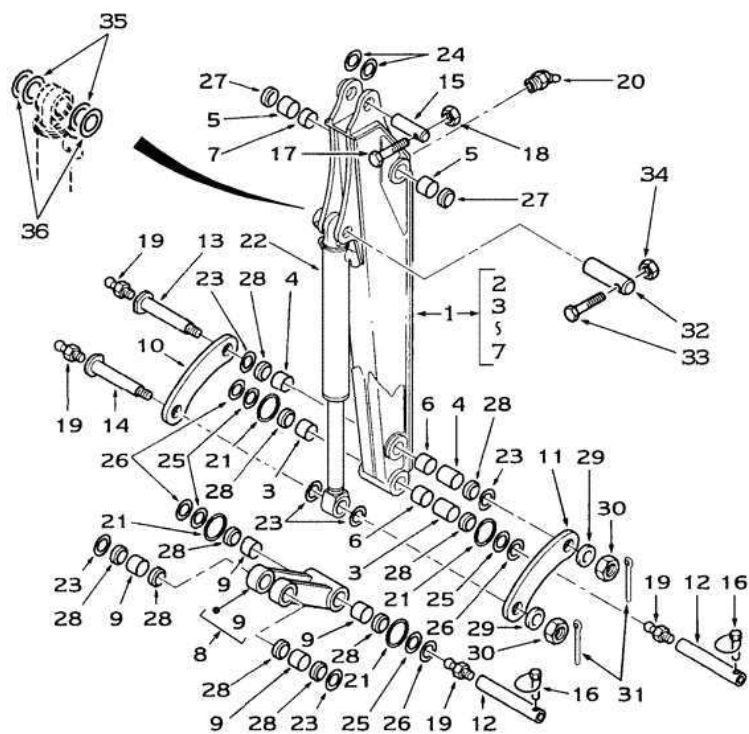


Numéro de série:

Chemin de navigation: Case CE EUR > LIGHT EQUIPMENT > MINI CRAWLER EXCAVATOR > CASE > 28 - CASE MINI-EXCAVATOR (3/94-12/00) > 12 - Chassis/Attachments > 09-165 - DIPPER 1.195 M - (47-1/8 IN) >



Numéro de série:

Chemin de navigation: Case CE EUR > LIGHT EQUIPMENT > MINI CRAWLER EXCAVATOR > CASE > 28 - CASE MINI-EXCAVATOR (3/94-12/00) > 12 - Chassis/Attachments > 09-165 - DIPPER 1.195 M - (47-1/8 IN) >

Ref	Qty	Part #	Part Description	Usage
1	1	6010511M92	DIPPER	Replaces 6010511M91, Consists Of Ref. Numbers 2-7
2	1	NSS	NOT SOLD SEPARAT	Dipper
3	2	6005201M3	BUSHING	45 x 35 x 30
4	2	6005204M3	BUSHING	45 x 35 x 30
5	2	6005200M3	BUSHING	50 x 40 x 40
6	2	6005202M1	COLLAR	
7	1	6005213M1	COLLAR	
8	1	6010513M92	POWER ARM	Replaces 6010513M91, Consists Of Ref. Number 9
9	4	6005201M3	BUSHING	45 x 35 x 30
10	1	6010514M91	POWER ARM	
11	1	6010515M1	PLATE	
12	2	6011161M93	PIN	dia 35, Replaces 6005221M3
13	1	6006934M92	PIN	dia 35
14	1	6006930M92	PIN	dia 35
15	1	6005222M2	PIN	dia 40
16	2	6006965M91	LINCH PIN	
17	1	6007785M1	SCREW	M10 x 80; 10.9
17	1	3009502X1	BOLT	M10 x 80; 8.8

Numéro de série:

Chemin de navigation: Case CE EUR > LIGHT EQUIPMENT > MINI CRAWLER EXCAVATOR > CASE > 28 - CASE MINI-EXCAVATOR (3/94-12/00) > 12 - Chassis/Attachments > 09-165 - DIPPER 1.195 M - (47-1/8 IN) >

Ref	Qty	Part #	Part Description	Usage
18	1	1440329X1	NUT	M10, Replaces 3009693X1
19	4	47044682	LUBE NIPPLE	
20	1	391335X1	NIPPLE, LUBE	NIPPLE
21	4	6005965M1	GASKET	
22	1	6010189M91	CYLINDER ASSY.	See Page(s) 08-395
22	1	6010800M91	CYLINDER ASSY.	See Page(s) 08-397
23	X	6005490M1	SHIM	60 x 36 x 1,0
24	X	6006398M1	SHIM	70 x 41 x 1,0
25	X	6006966M1	SHIM	55 x 36 x 1,0
26	X	6006932M1	SHIM	55 x 36 x 0,2
27	2	6008193M1	GASKET	
28	10	6008192M1	SEAL	
29	2	6006931M1	SPACER	
30	2	6006933M1	NUT	
31	2	1443507X1	PIN	
32	1	6005203M1	PIN	dia 35
33	1	6007785M1	SCREW	M10 x 80
33	1	3009502X1	BOLT	M10 x 80
34	1	1440329X1	NUT	M10, Replaces 3009693X1

Numéro de série:

Chemin de navigation: Case CE EUR > LIGHT EQUIPMENT > MINI CRAWLER EXCAVATOR > CASE > 28 - CASE MINI-EXCAVATOR (3/94-12/00) > 12 - Chassis/Attachments > 09-165 - DIPPER 1.195 M - (47-1/8 IN) >

Ref	Qty	Part #	Part Description	Usage
35	X	6005490M1	SHIM	60 x 36 x 1,0
36	X	6006937M1	SHIM	60 x 36 x 0,2