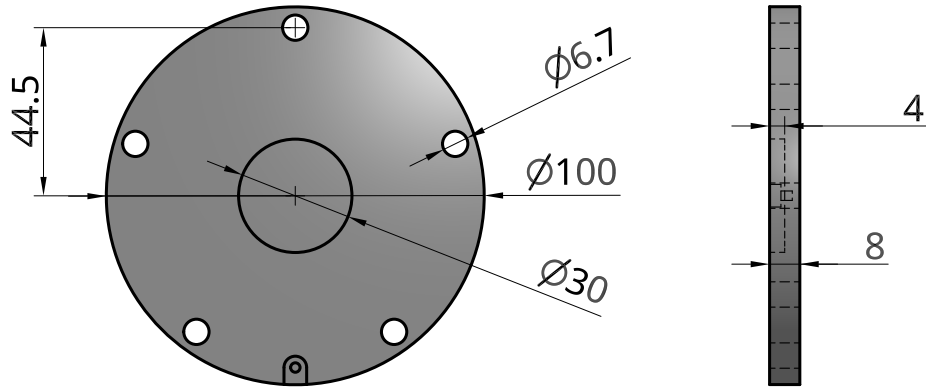
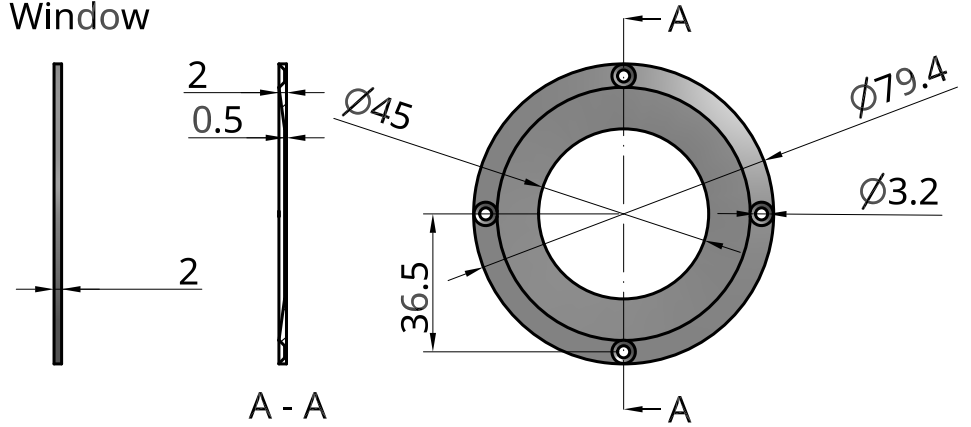


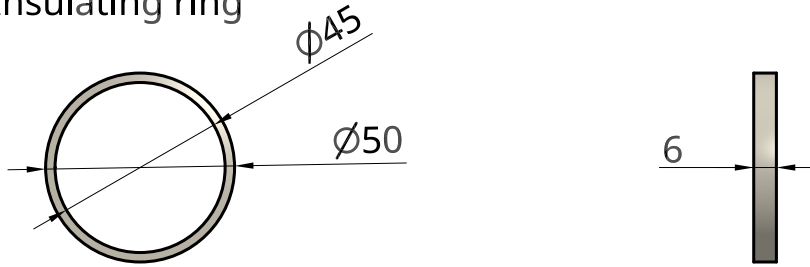
Bottom



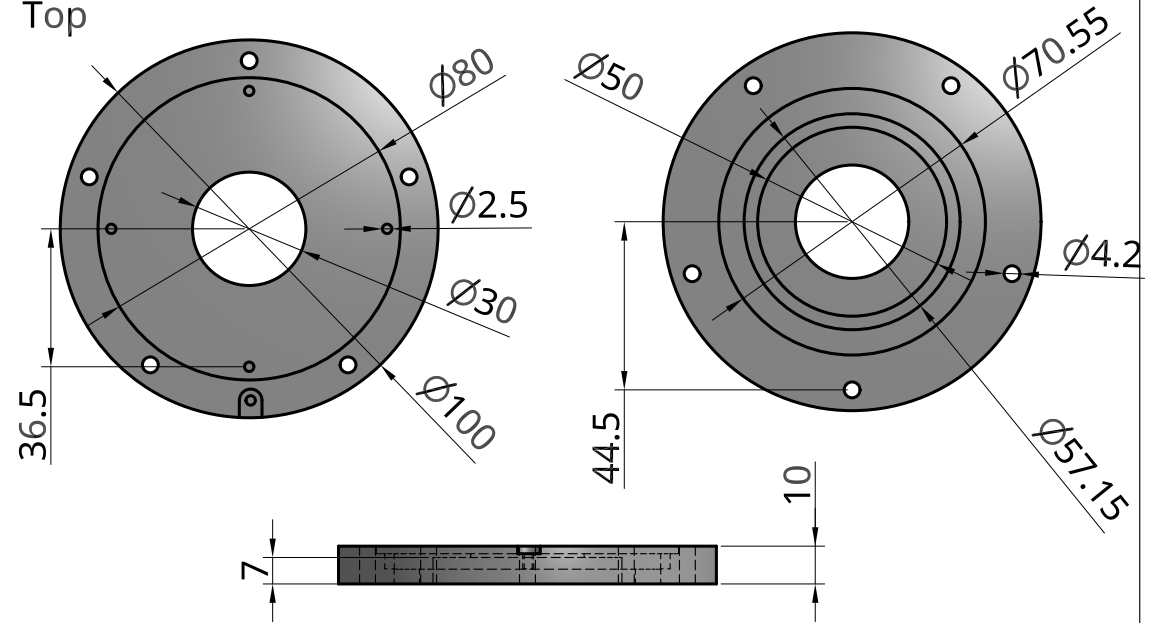
Top Window



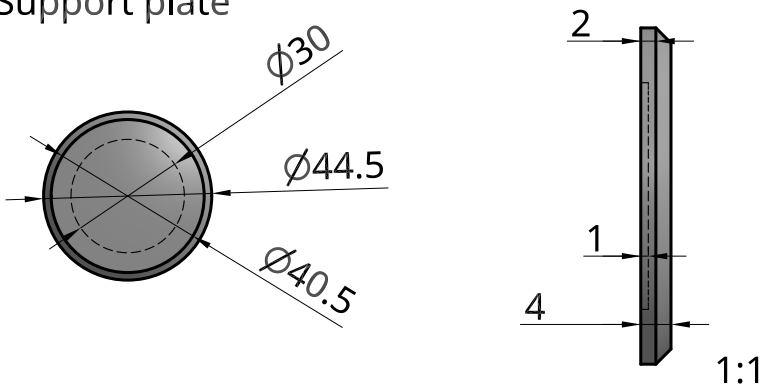
Insulating ring



Top



Support plate



UNLESS OTHERWISE SPECIFIED, DIMENSIONS ARE IN MILLIMETERS		NAME	SIGNATURE	DATE		
ANGULAR = ± °		DRAWN	CLEMENT LEVEL	2018-10-30		
SURFACE FINISH		CHECKED			TITLE	
DO NOT SCALE DRAWING		APPROVED				
BREAK ALL SHARP EDGES AND REMOVE BURRS						
FIRST ANGLE PROJECTION		MATERIAL		FINISH		SIZE
						A4
						DWG NO.
						REV.
				SCALE 1:2		WEIGHT
						SHEET 1 of 1