

D

C

B

A

4

4

3

3

2

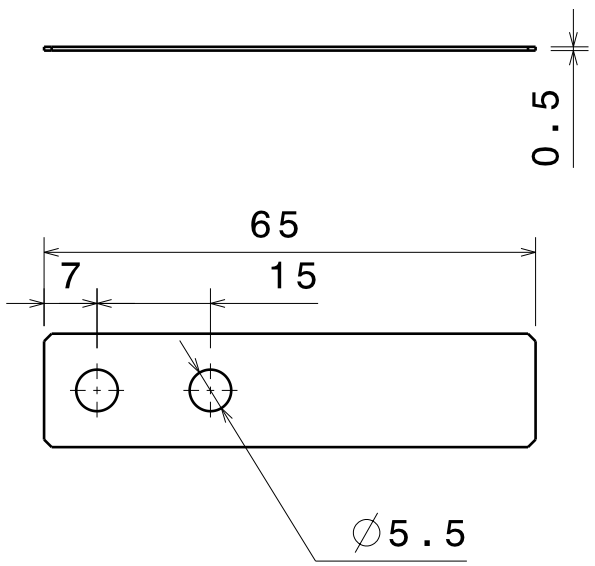
2

1

1

D

A



MATIERE:
 ACIER A RESSORT
 CASSER LES ANGLES

This drawing is our property. It can't be reproduced or communicated without our written agreement.		LAMELLE RESSORT			
DRAWN BY BOUJOT		DATE 19/12/2019		DRAWING TITLE KIT MODIFICATION	
CHECKED BY BOUJOT		DATE 19/12/2019		SIZE A4	DRAWING NUMBER 006
DESIGNED BY BOUJOT		DATE 19/12/2019		SCALE 1:1	WEIGHT(kg) XXX
				SHEET 1/1	REV X