

H G F E D C B A

4

3

2

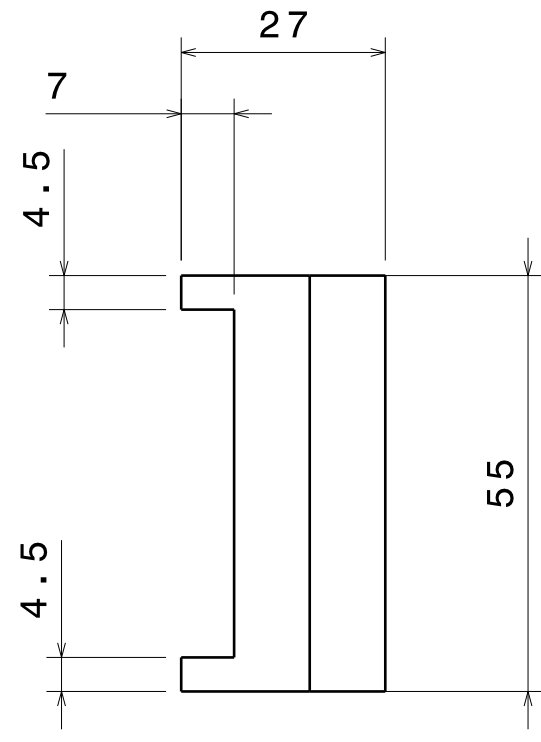
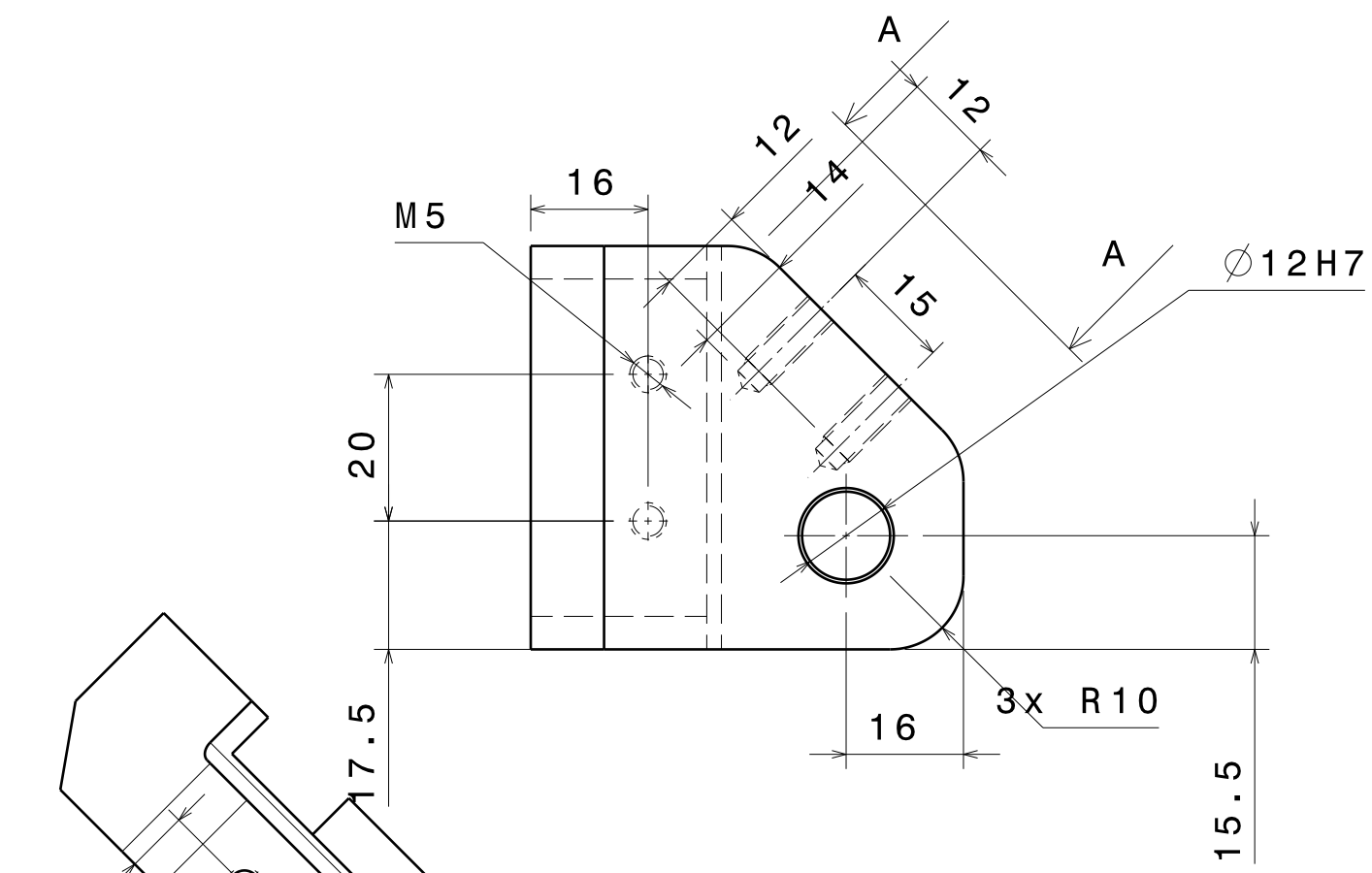
1

4

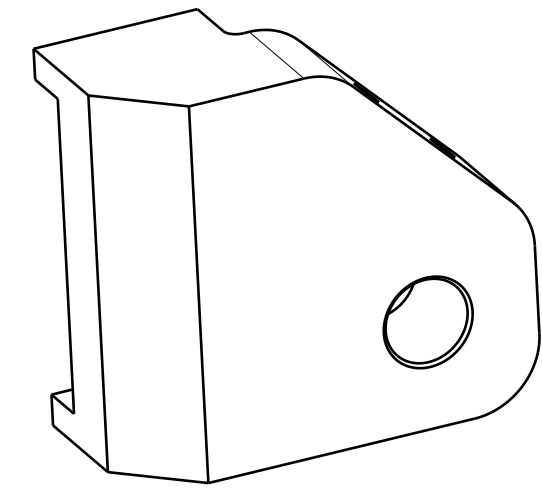
3

2

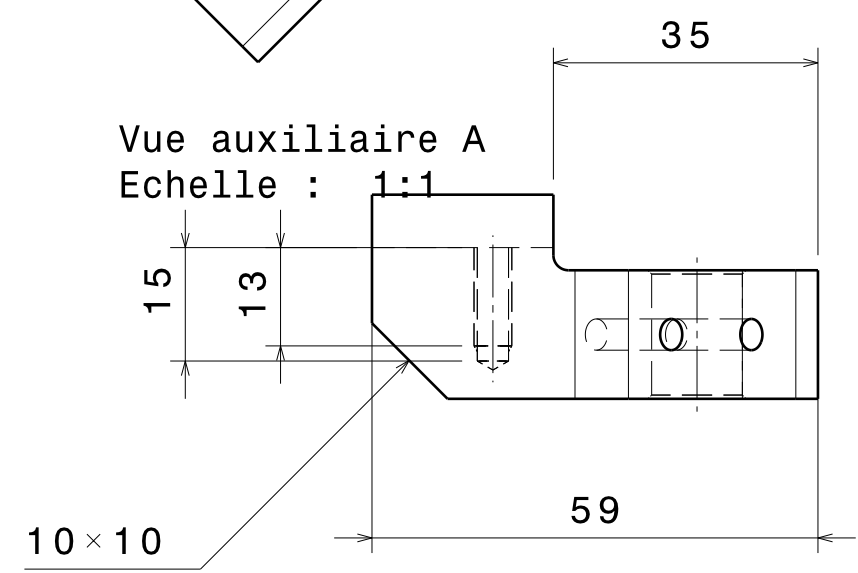
1



TOLERANCE GENERALE +/- 0.2
MATERIE: ALU



Vue auxiliaire A
Echelle : 1:1



PIECE 002 SYMETRIQUE

DESIGNED BY: BOUJOT	FERRURE GAUCHE		I	-
DATE: 18/11/2019			H	-
CHECKED BY: BOUJOT	KIT MODIFICATION		G	-
DATE: 18/11/2019			F	-
SIZE A3		DRAWING NUMBER 001	E	-
SCALE 1:1	WEIGHT (kg) XXX		SHEET 1/1	D
This drawing is our property; it can't be reproduced or communicated without our written agreement.			C	-
			B	-
			A	-

H G B A