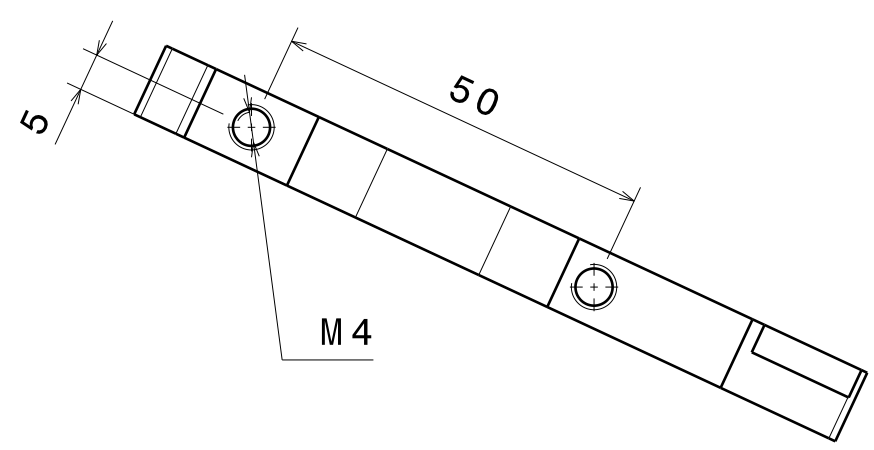
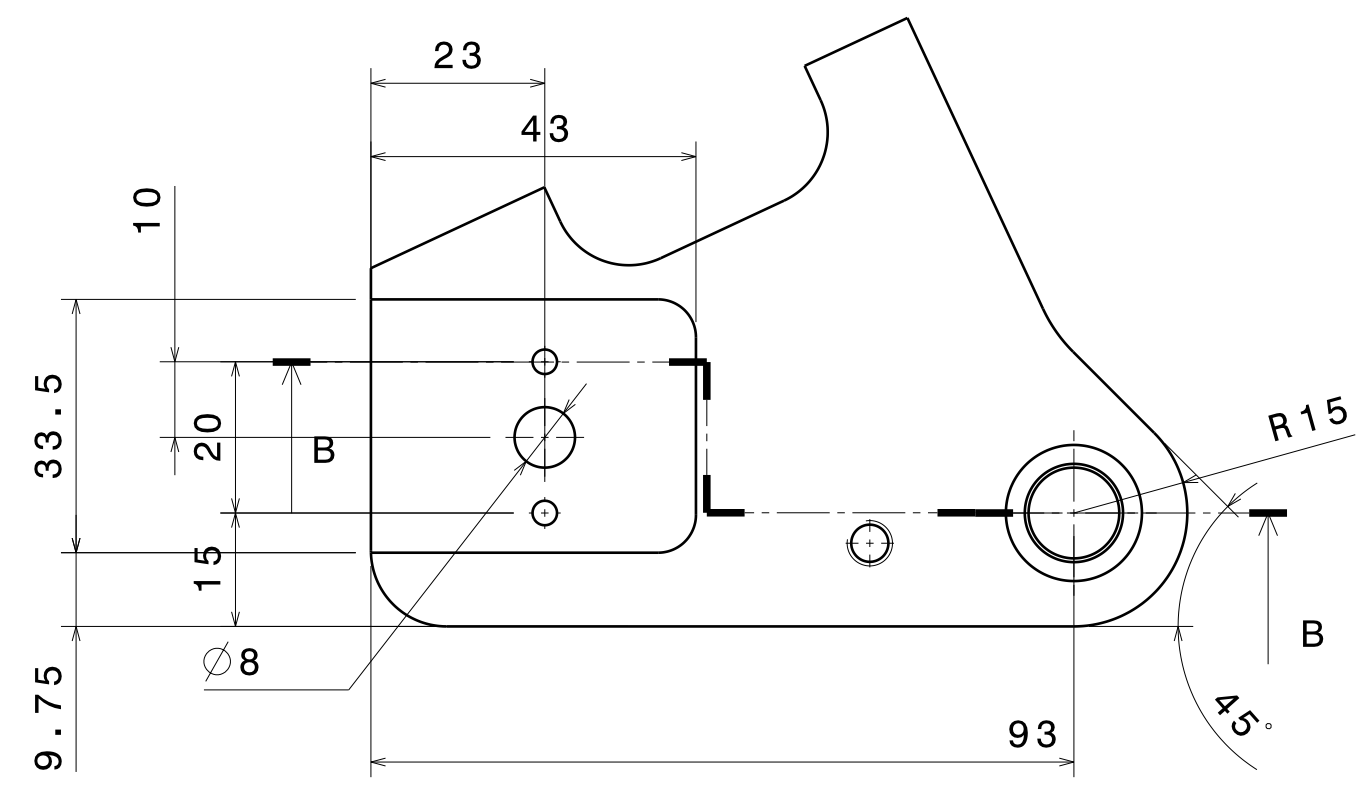
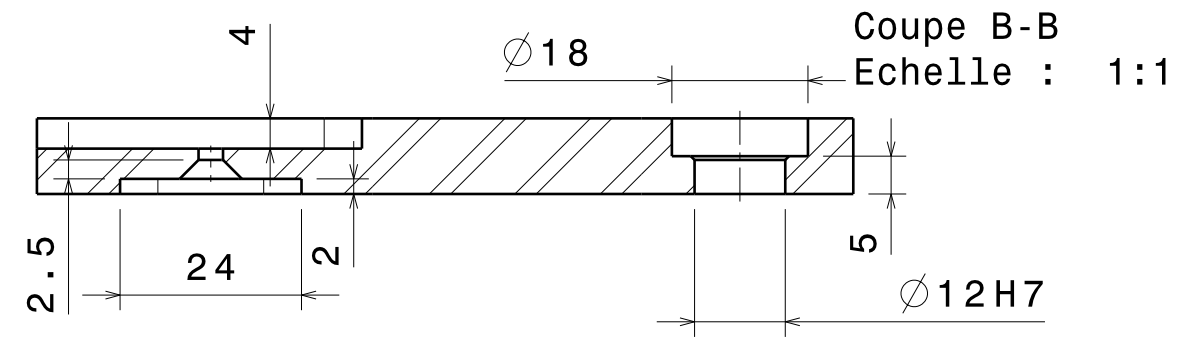
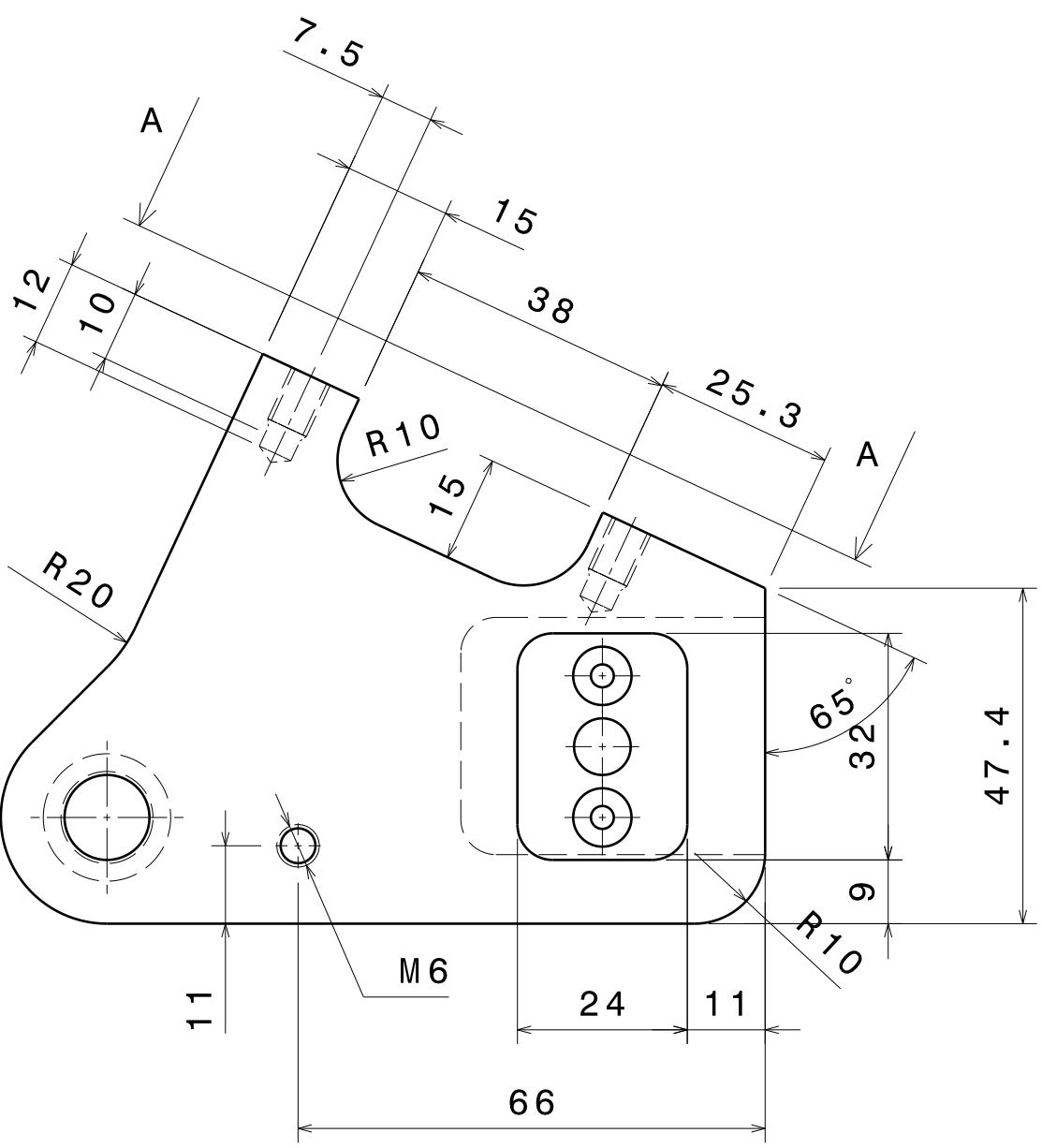


H G F E D C B A

4
3
2
1



Vue auxiliaire A
Echelle : 1:1

TOLERANCE GENERALE: +/- 0.2

DESIGNED BY: BOUJOT	FERRURE - ROUE - GAUCHE		I	-
DATE: 26/11/2019			H	-
CHECKED BY: BOUJOT			G	-
DATE: 26/11/2019			F	-
SIZE A3		KIT MODIFICATION	E	-
SCALE 1:1	WEIGHT (kg) XXX		D	-
DRAWING NUMBER 007		SHEET 1/1	C	-
This drawing is our property; it can't be reproduced or communicated without our written agreement.			B	-
			A	-

H G B A