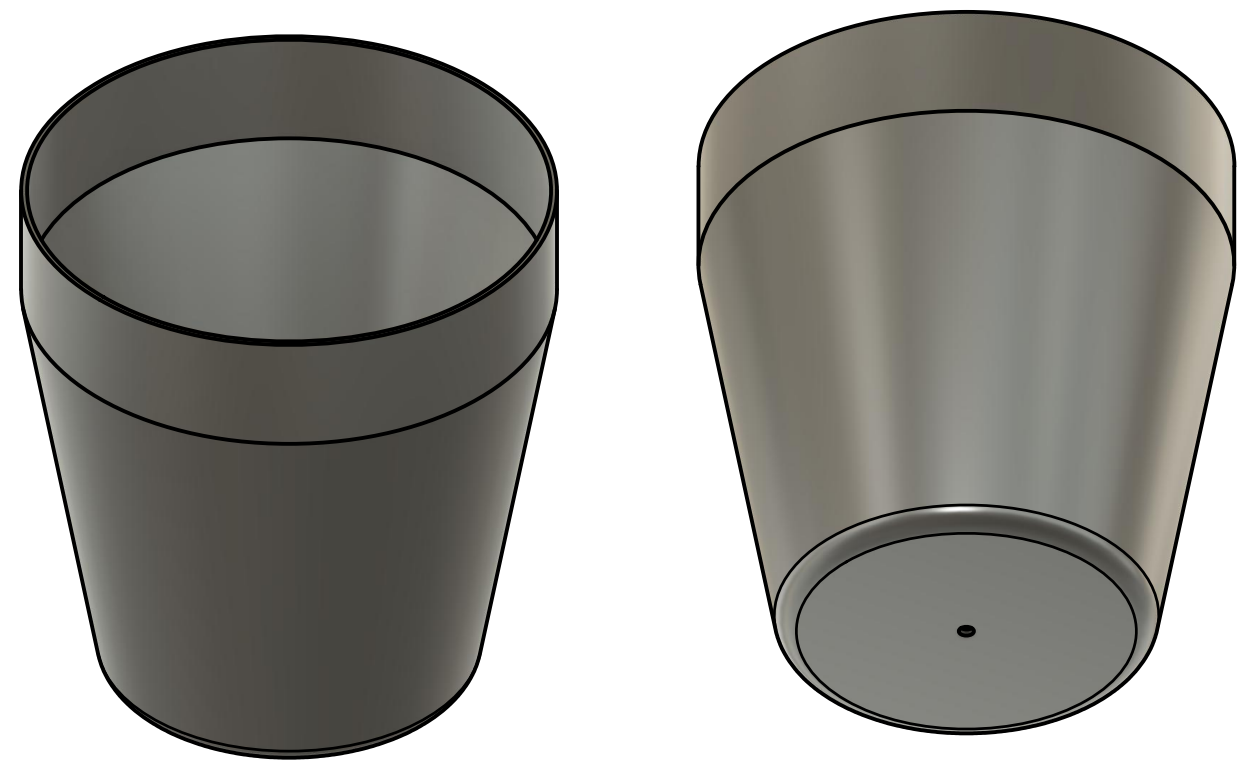


Tolérances : +/- 0,1



Matière : Aluminium compatible contact alimentaire en intérieur
Aluminium anodisé extérieur incolore

Dept.	Technical reference	Created by Dominique CAYRON	Approved by	
		Document type	Document status	
		Title Fiole alu conique Conical alu vial	DWG No.	
Rev. 1	Date of issue 19/09/2019	Sheet 1/1		