

D

C

B

A

4

4

3

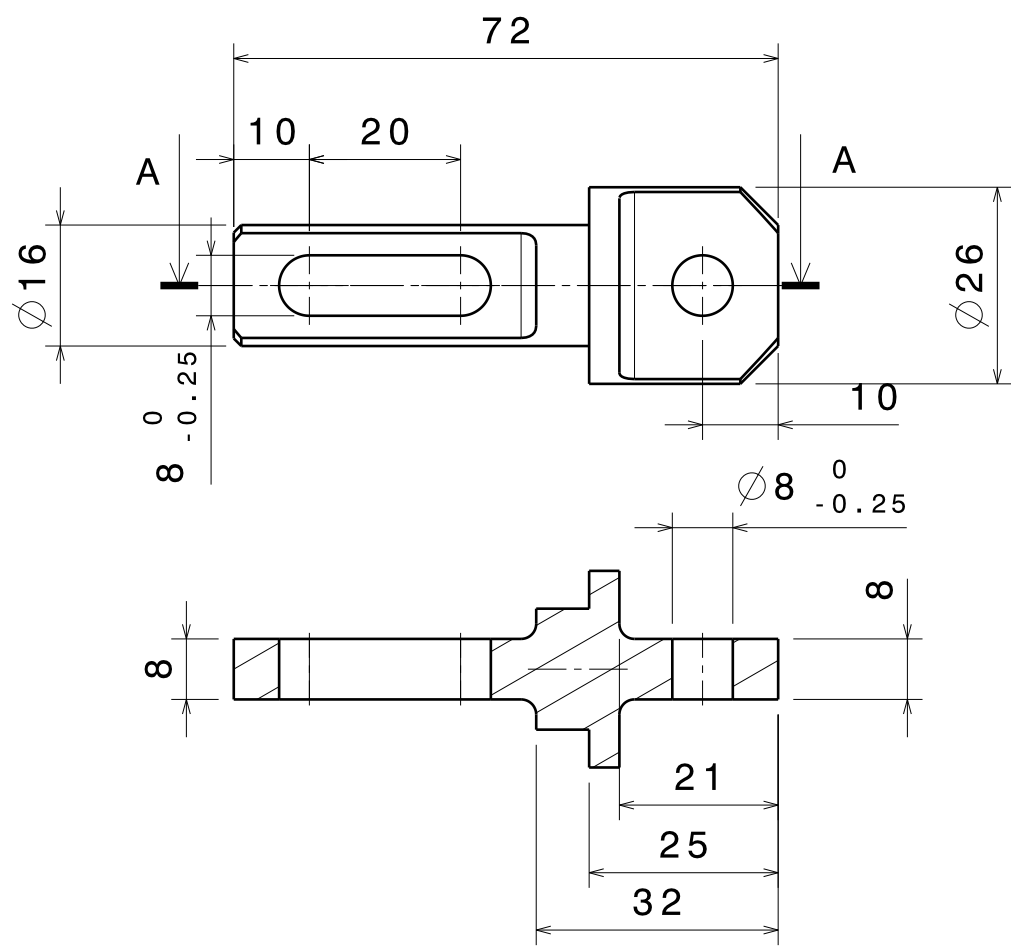
3

2

2

1

1



TOLERANCE GENERALE +/- 0.2

MATIERE: ALU

DESIGNED BY: BOUJOT	
DATE: 20/11/2019	
CHECKED BY: BOUJOT	
DATE: 20/11/2019	
SIZE A4	
SCALE 1:1	WEIGHT (kg) XXX

<h1>Axe RESSORT</h1>			
		<h2>KIT MODIFICATION</h2>	
DRAWING NUMBER 008		SHEET 1 / 1	

I	-
H	-
G	-
F	-
E	-
D	-
C	-
B	-
A	-

This drawing is our property; it can't be reproduced or communicated without our written agreement.

D

A