

D

C

B

A

4

4

3

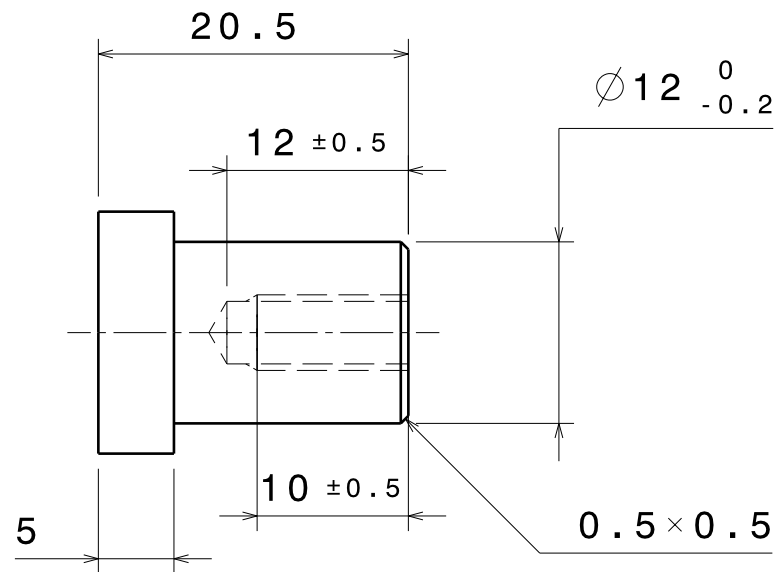
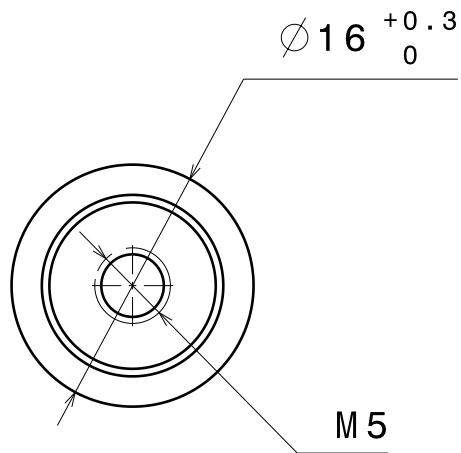
3

2

2

1

1



TOLERANCE GENERALE +/- 0.1  
 MATIERE: ACIER INOX

DESIGNED BY: <b>BOUJOT</b>		<h1>AXE PRINCIPAL</h1>		I	—
DATE: 20/11/2019				H	—
CHECKED BY: <b>BOUJOT</b>		<h2>KIT MODIFICATION</h2>		G	—
DATE: 20/11/2019				F	—
SIZE <b>A4</b>		<h3>005</h3>		E	—
SCALE <b>2:1</b>	WEIGHT (kg) <b>XXX</b>			<h3>1 / 1</h3>	
DRAWING NUMBER		<h3>005</h3>			
SHEET				<h3>005</h3>	
SHEET		<h3>005</h3>			

This drawing is our property; it can't be reproduced or communicated without our written agreement.

D

A