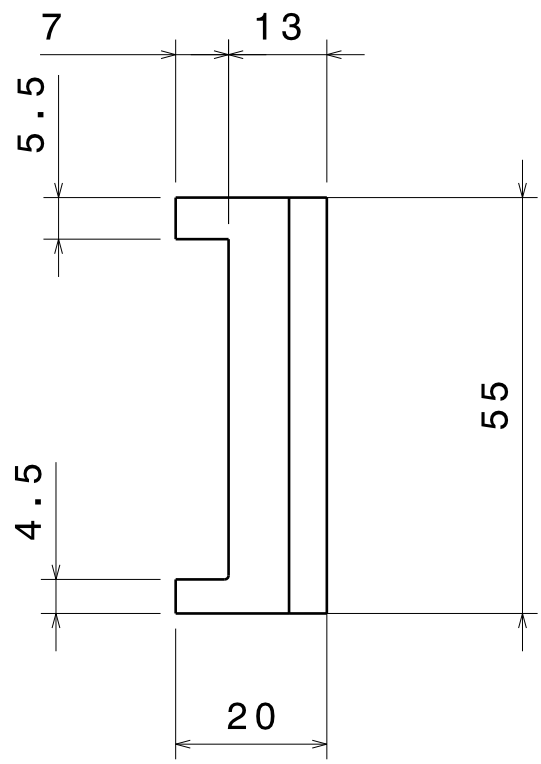
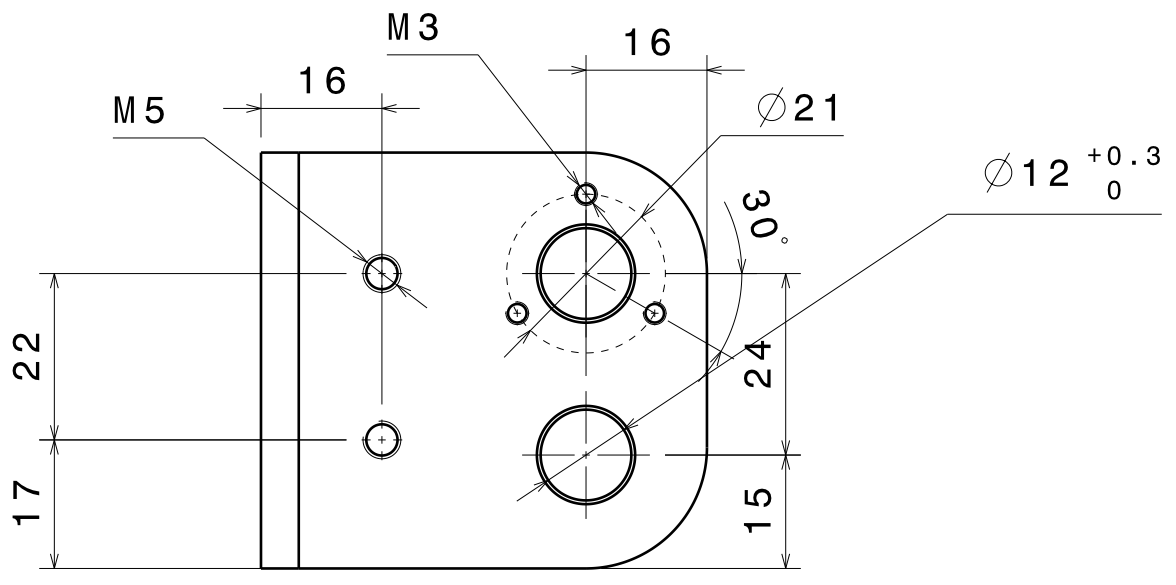
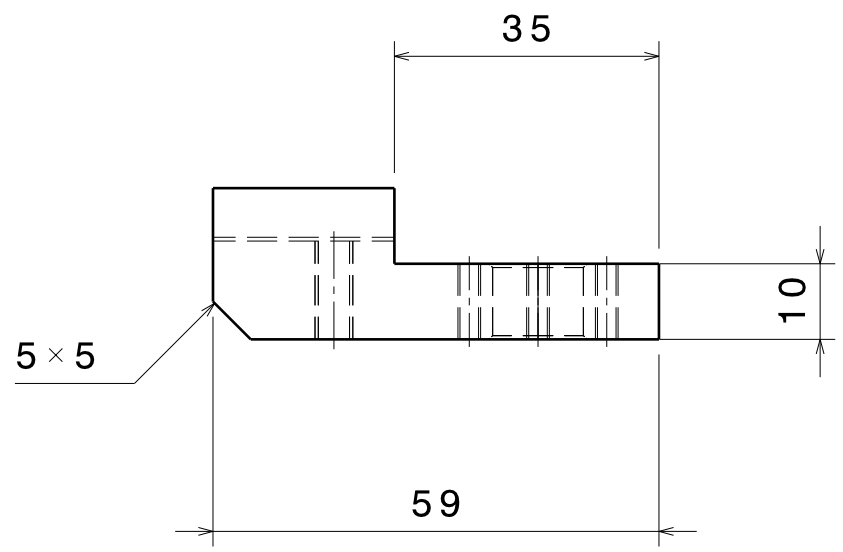
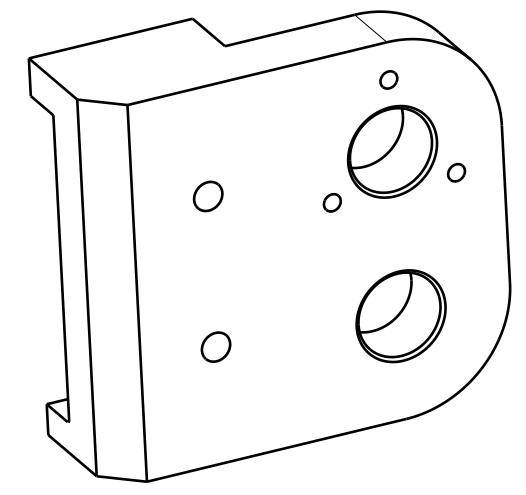


H G F E D C B A



TOLERANCE GENERALE +/- 0.2
 MATIERE: ALU



PIECE 003 SYMETRIQUE

DESIGNED BY: BOUJOT	FERRURE GAUCHE		I	-
DATE: 18/11/2019			H	-
CHECKED BY: BOUJOT	KIT MODIFICATION		G	-
DATE: 18/11/2019			F	-
SIZE: A3		DRAWING NUMBER 002	E	-
SCALE: 1:1	WEIGHT (kg): XXX		SHEET 1/1	D
This drawing is our property; it can't be reproduced or communicated without our written agreement.			C	-
			B	-
			A	-

H G B A