

F E D C B A

4

3

2

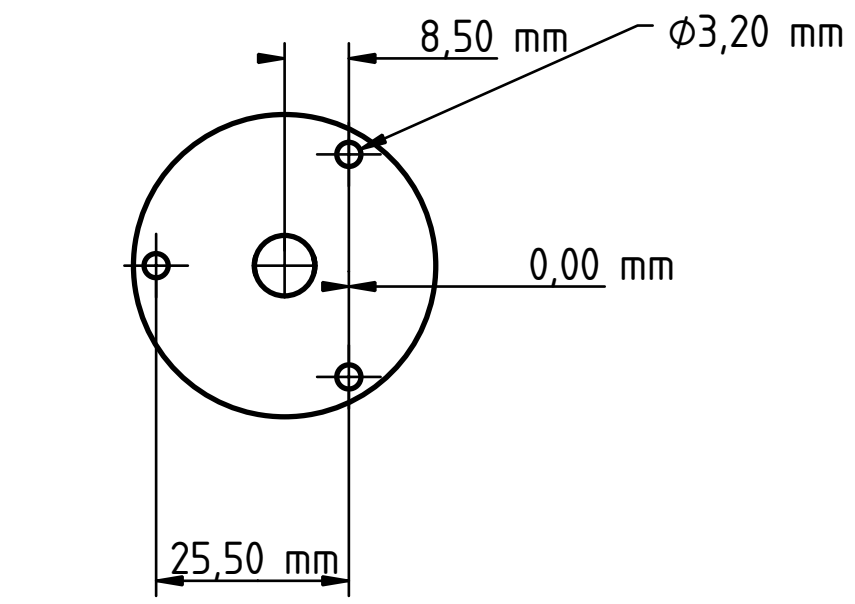
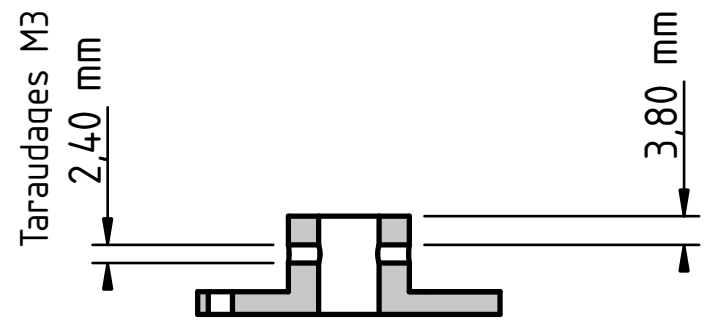
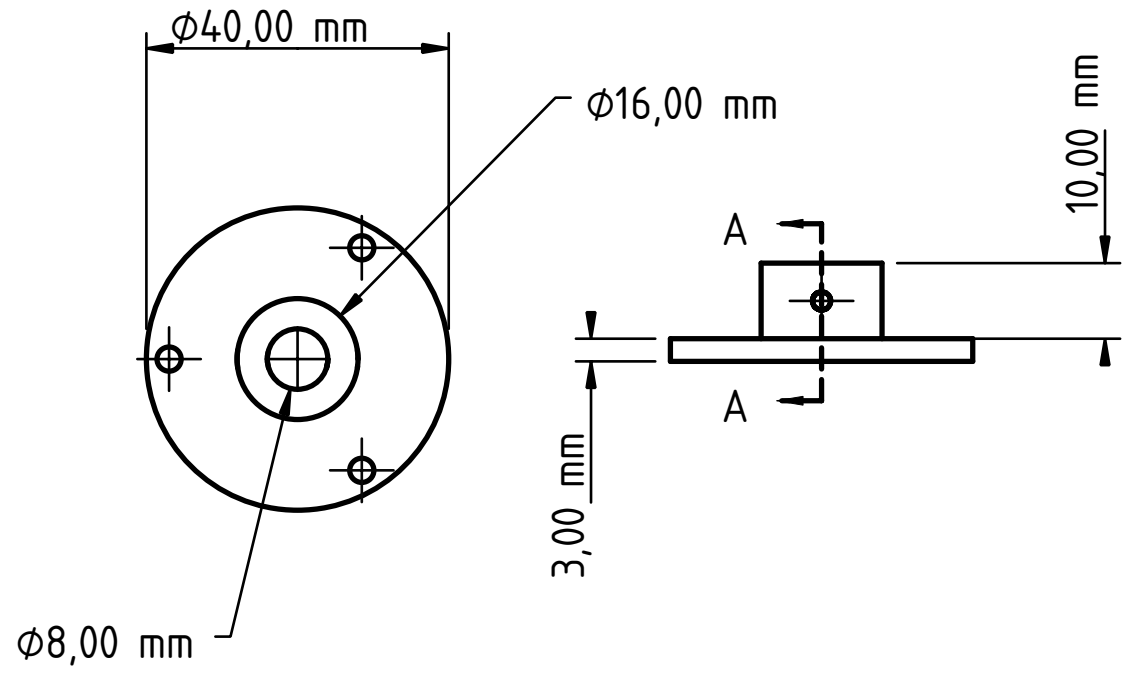
1

4

3

2

1



INOX 304L

DESIGNED BY:		CAPOT		G	-
DATE:		24/11/2019		F	-
SIZE		A4		E	-
SCALE		1:1		D	-
WEIGHT (kg)		Weight		C	-
DRAWING NUMBER		1		B	-
SHEET		1		A	-
This drawing is our property; it can't be reproduced or communicated without our written consent.					

F E D