

F

E

D

C

B

A

4

3

2

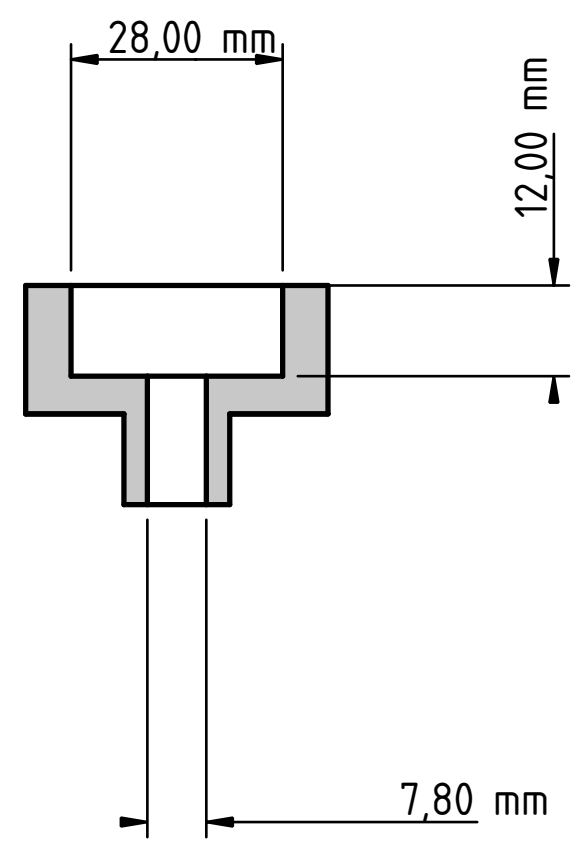
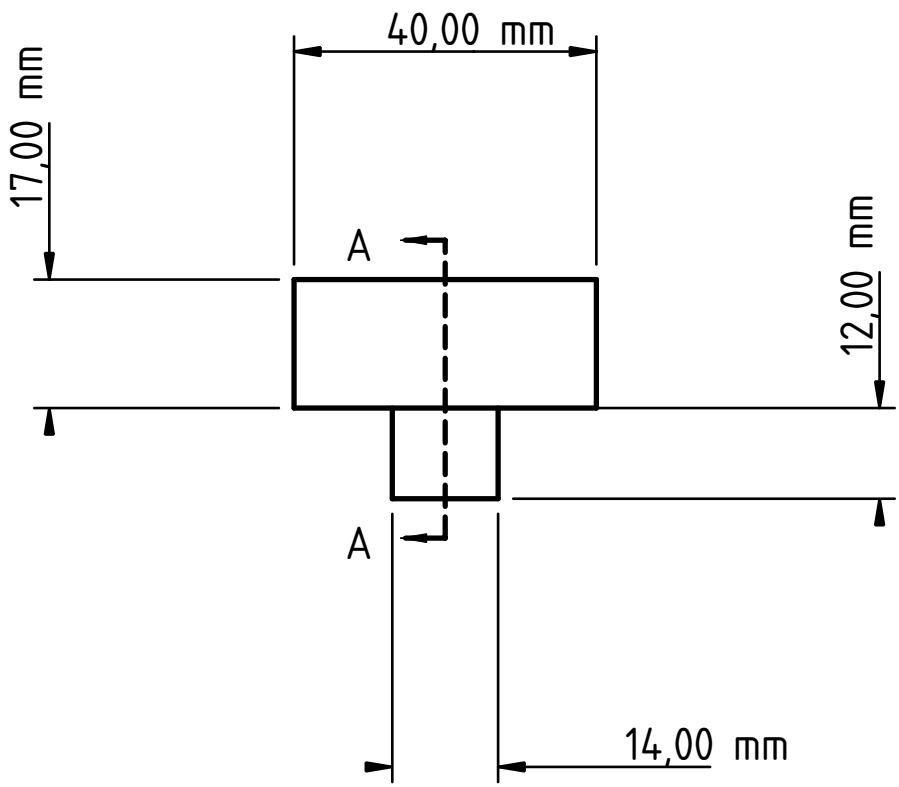
1

4

3

2

1



INOX 304L

DESIGNED BY:		BODY		G	—
DATE: 24/11/2019		FRONT		F	—
SIZE				E	—
A4				D	—
SCALE	WEIGHT (kg)	DRAWING NUMBER	SHEET	C	—
1:1	Weight		1	B	—
This drawing is our property; it can't be reproduced or communicated without our written consent.				A	—



F

E

D

F E D C B A

4

3

2

1

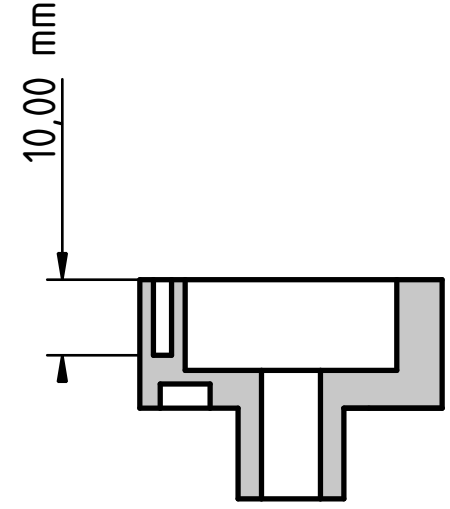
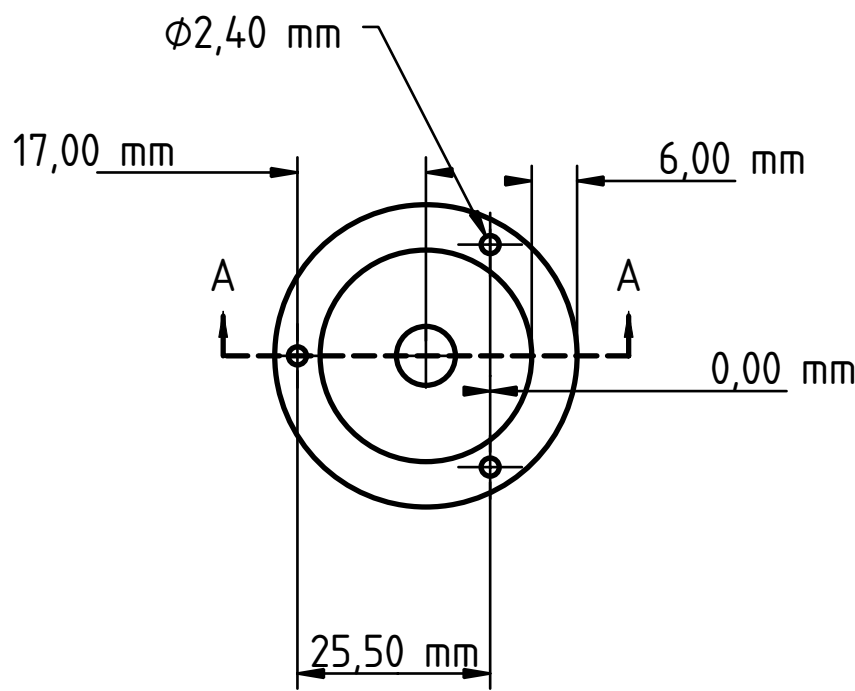
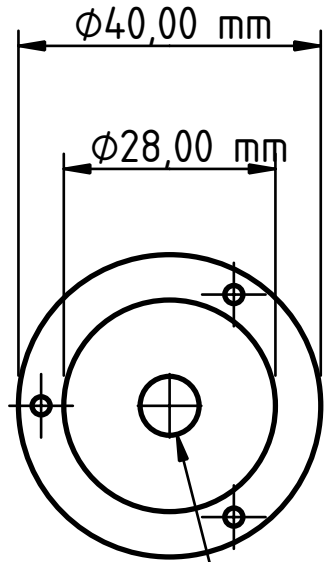
4

3

2

1

taradaqe M3



INOX 304L

DESIGNED BY:		BODY		G	—
DATE: 24/11/2019		TOP		F	—
SIZE A4				E	—
				D	—
SCALE 1:1	WEIGHT (kg) Weight	DRAWING NUMBER	SHEET 2	C	—
This drawing is our property; it can't be reproduced or communicated without our written consent.				B	—
				A	—

F E D C B A

F

E

D

C

B

A

4

4

3

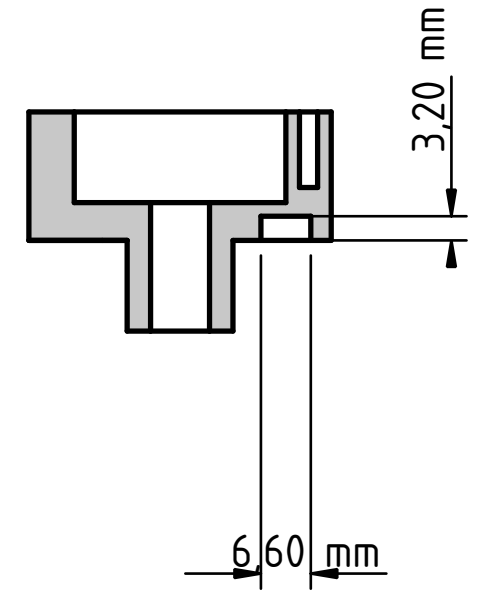
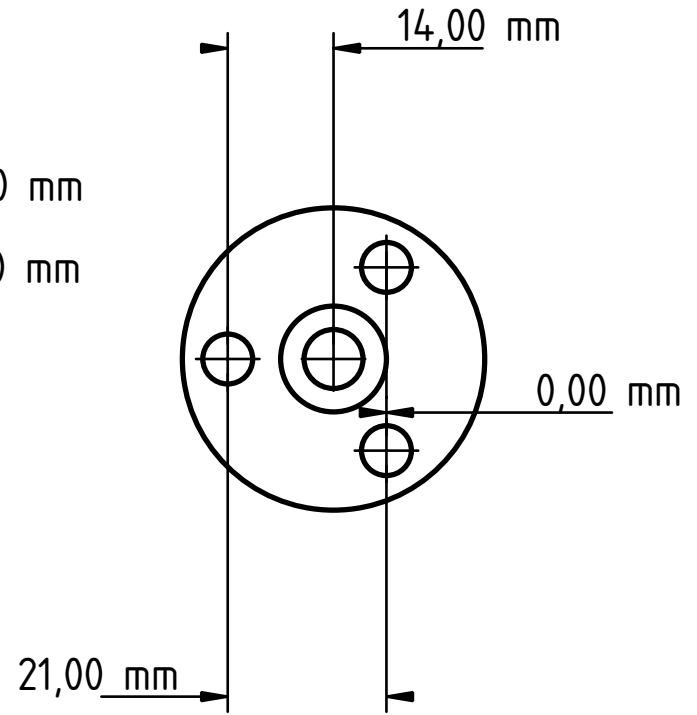
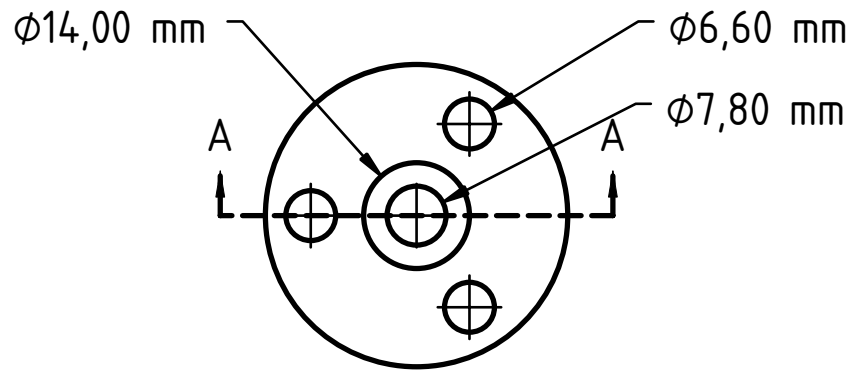
3

2

2

1

1



INOX 304L

DESIGNED BY:		BODY		G	—
DATE: Date		BOTTOM		F	—
SIZE				E	—
A4				D	—
SCALE	WEIGHT (kg)	DRAWING NUMBER	SHEET	C	—
1:1	Weight		3	B	—
This drawing is our property; it can't be reproduced or communicated without our written consent.				A	—

F

E

D

