

D

C

B

A

4

4

3

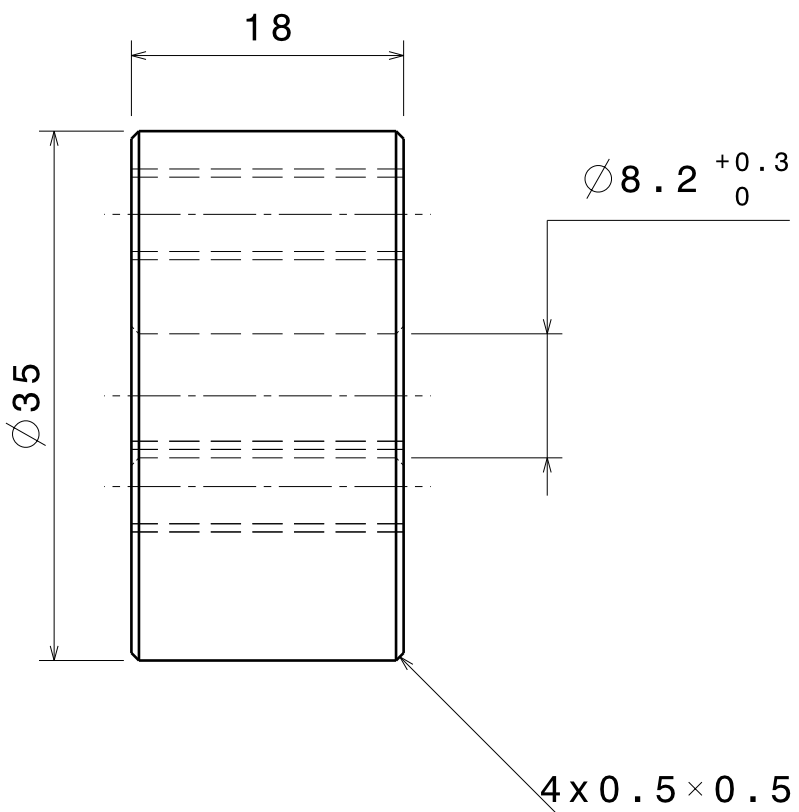
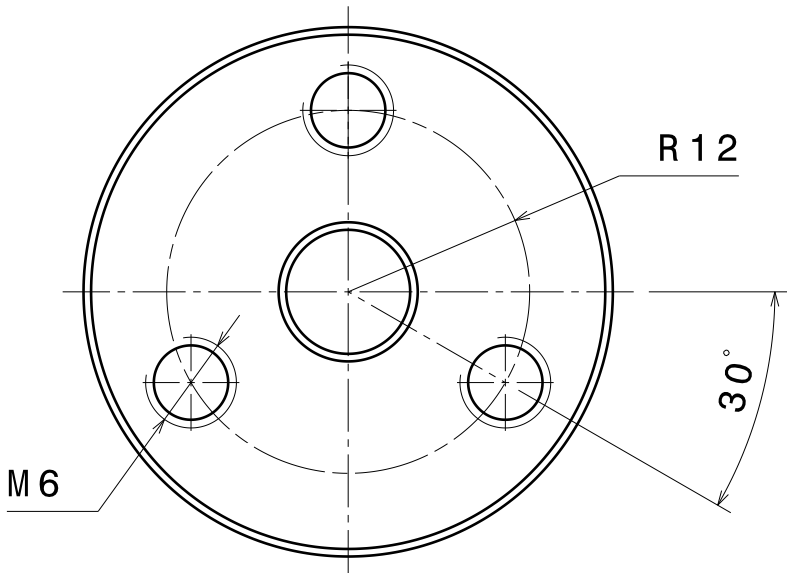
3

2

2

1

1



TOLERANCE GENERALE +/- 0.2

MATIERE: ALU

DESIGNED BY: BOUJOT		<h1>PALIER</h1>		I	-
DATE: 20/11/2019				H	-
CHECKED BY: BOUJOT		<h2>KIT MODIFICATION</h2>		G	-
DATE: 20/11/2019				F	-
SIZE A4		<h3>004</h3>		E	-
SCALE 1:1	WEIGHT (kg) XXX			<h3>1/1</h3>	
DRAWING NUMBER		<h3>004</h3>			
SHEET				<h3>1/1</h3>	
This drawing is our property; it can't be reproduced or communicated without our written agreement.					

D

A