

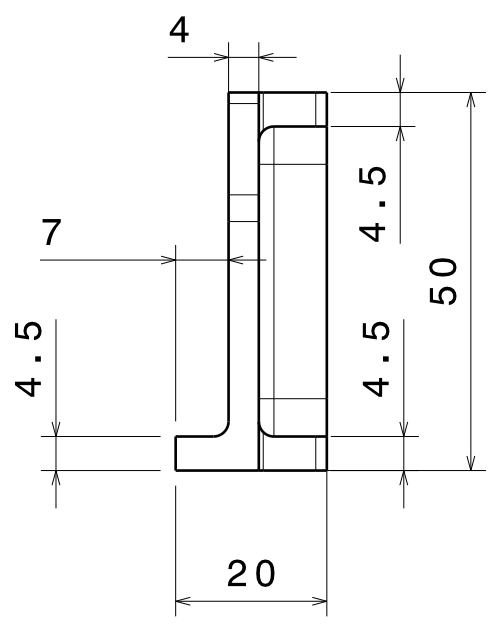
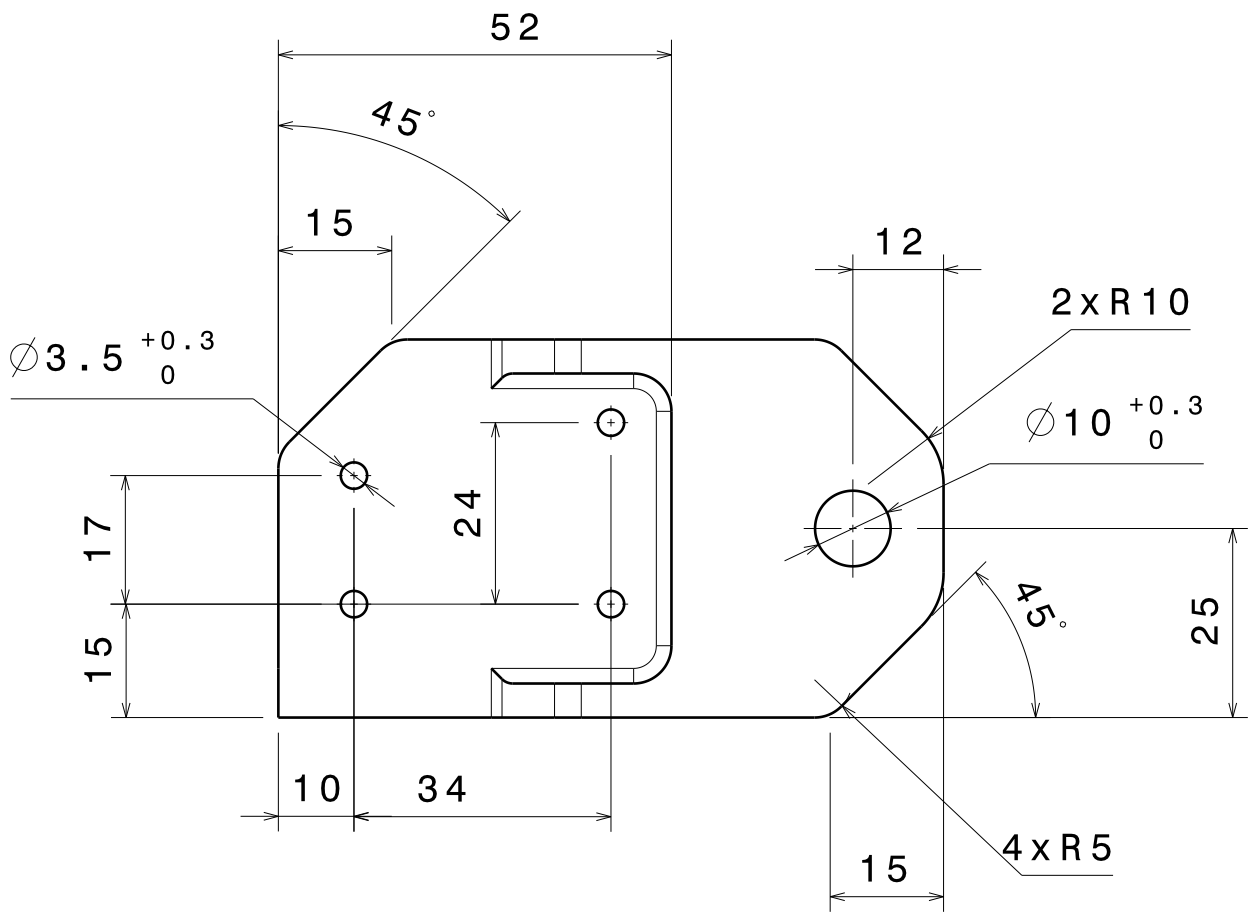
H G F E D C B A

4

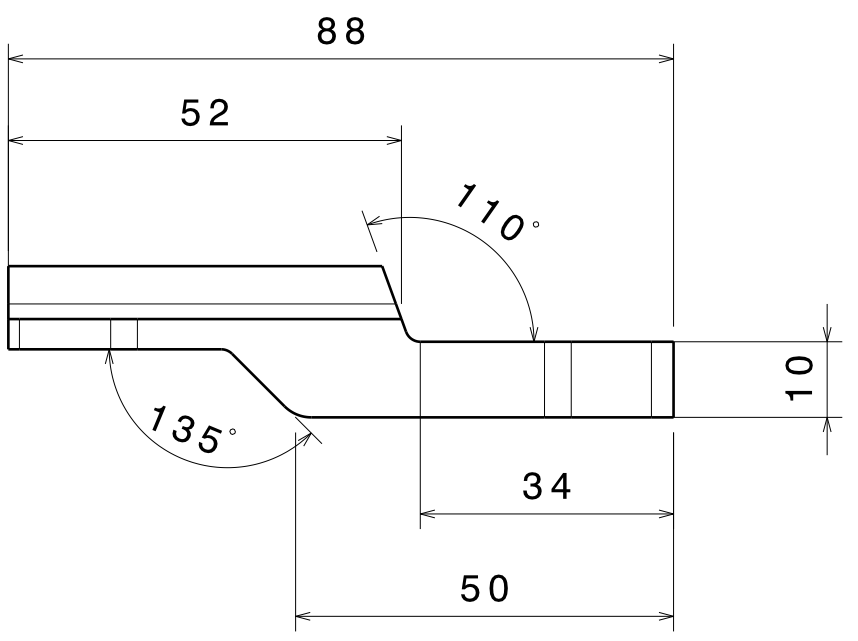
3

2

1



TOLERANCE GENERALE +/- 0.2
MATERIE: ALU



PIECE 003 SYMETRIQUE

DESIGNED BY: BOUJOT	FERRURE GAUCHE		I	-
DATE: 18/11/2019			H	-
CHECKED BY: BOUJOT			G	-
DATE: 18/11/2019	KIT MODIFICATION		F	-
SIZE: A3			E	-
SCALE: 1:1	WEIGHT (kg): XXX	DRAWING NUMBER: 002	D	-
		SHEET: 1/1	C	-
This drawing is our property; it can't be reproduced or communicated without our written agreement.			B	-
			A	-

H G B A

4

3

2

1