

H G F E D C B A

4

4

3

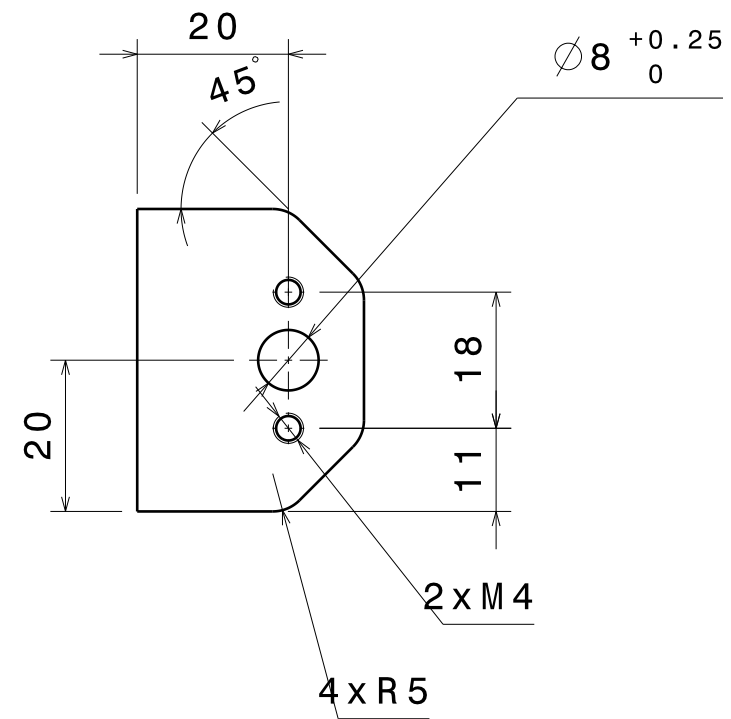
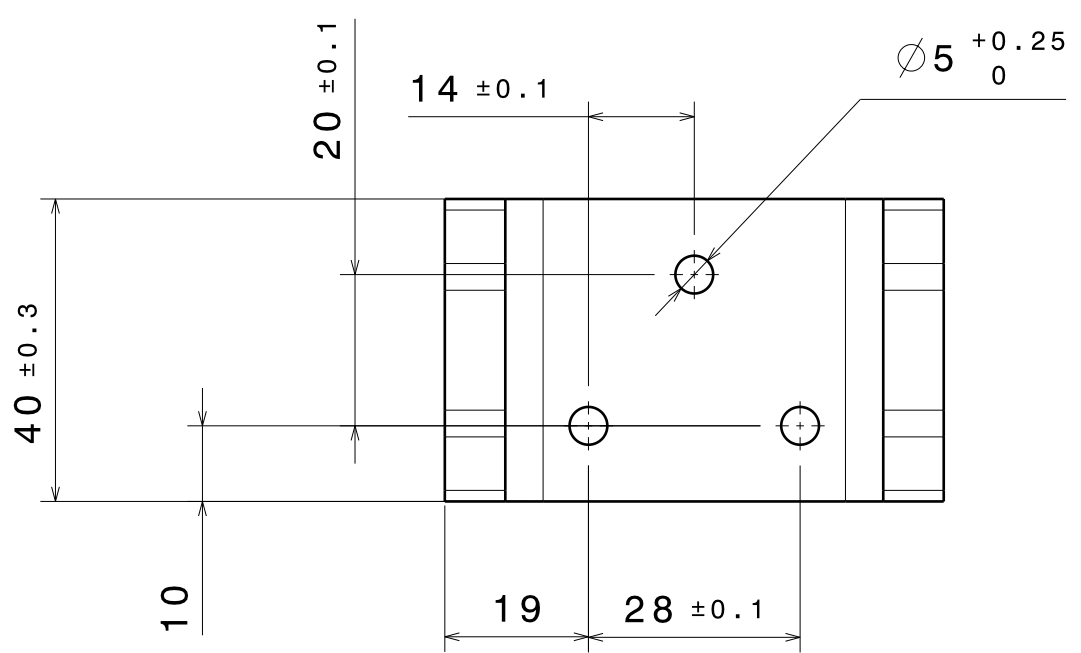
3

2

2

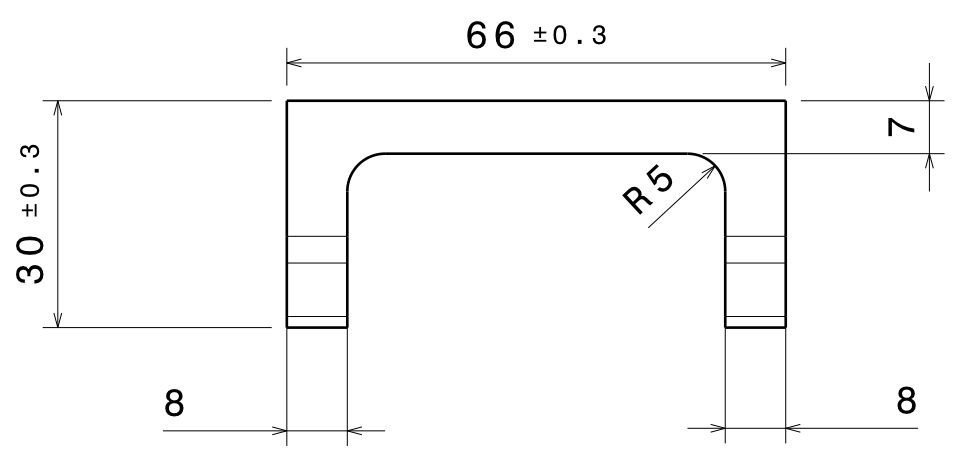
1

1



TOLERANCE GENERALE +/- 0.2

MATIERE : ALU



| | | | | |
|---|---------------------------|------------------------------|---------------------|---|
| DESIGNED BY: BOUJOT | FERRURE BASSE | | I | - |
| DATE: 20/11/2019 | | | H | - |
| CHECKED BY: BOUJOT | KIT MODIFICATION | | G | - |
| DATE: 20/11/2019 | | | F | - |
| SIZE A3 | | DRAWING NUMBER 001 | E | - |
| SCALE 1:1 | WEIGHT (kg) XXX | | SHEET 1/1 | D |
| This drawing is our property; it can't be reproduced or communicated without our written agreement. | | | C | - |
| | | | B | - |
| | | | A | - |

H G B A