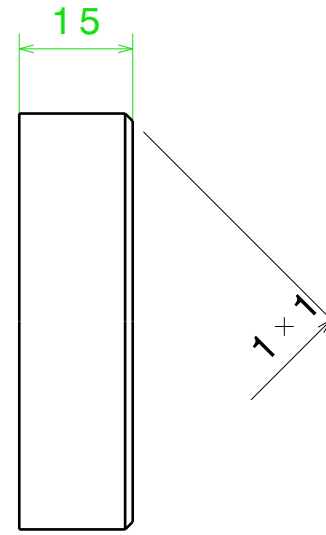


Vue de face
Echelle : 1:1



Vue de gauche
Echelle : 1:1

DESIGNED BY: Christophe JOUY		Ply Name	Bague Frein	I	-
DATE: 16/11/2019		Material	Acier	H	-
CHECKED BY: XXX		Direction	XXXX	G	-
DATE: XXX		Thickness	XXXX	F	-
SIZE A4		SequenceID	XXXX	E	-
SCALE 1:1	WEIGHT (kg) XXX	Quantité	1	D	-
			C	-	
			B	-	
			A	-	

This drawing is our property; it can't be reproduced or communicated without our written agreement.