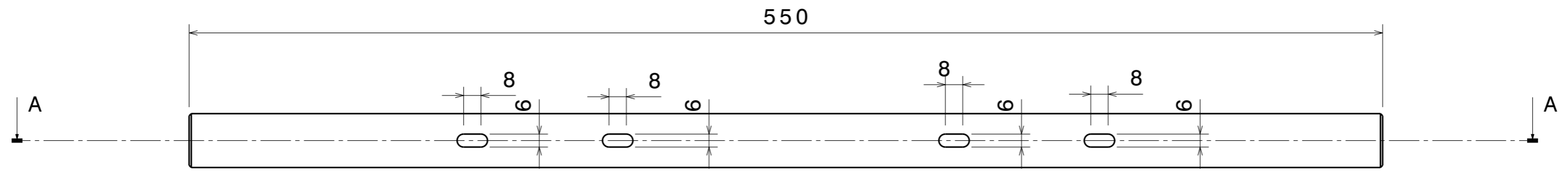


H G F E D C B A

4

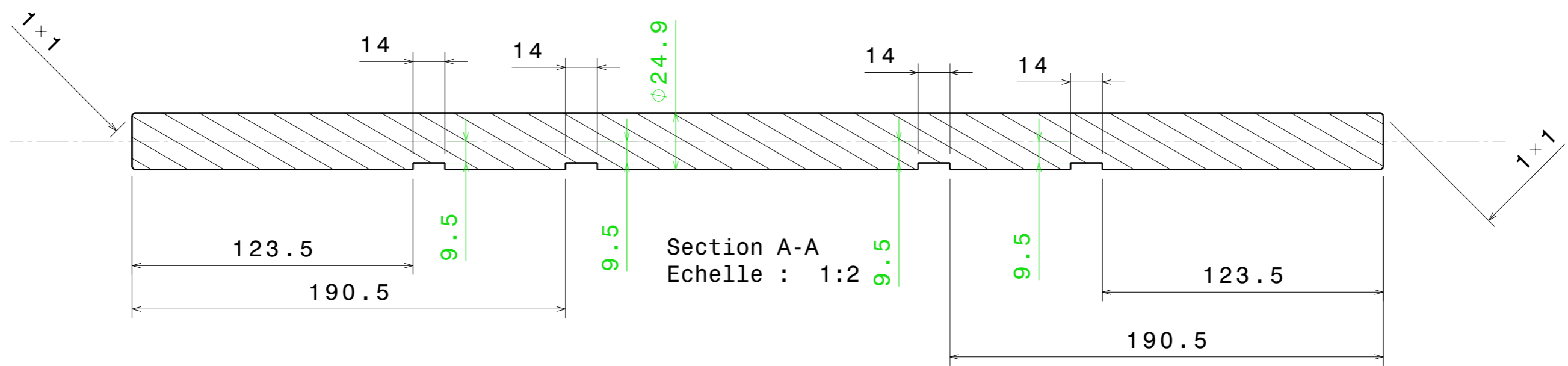
4



Vue de face
Echelle : 1:2

3

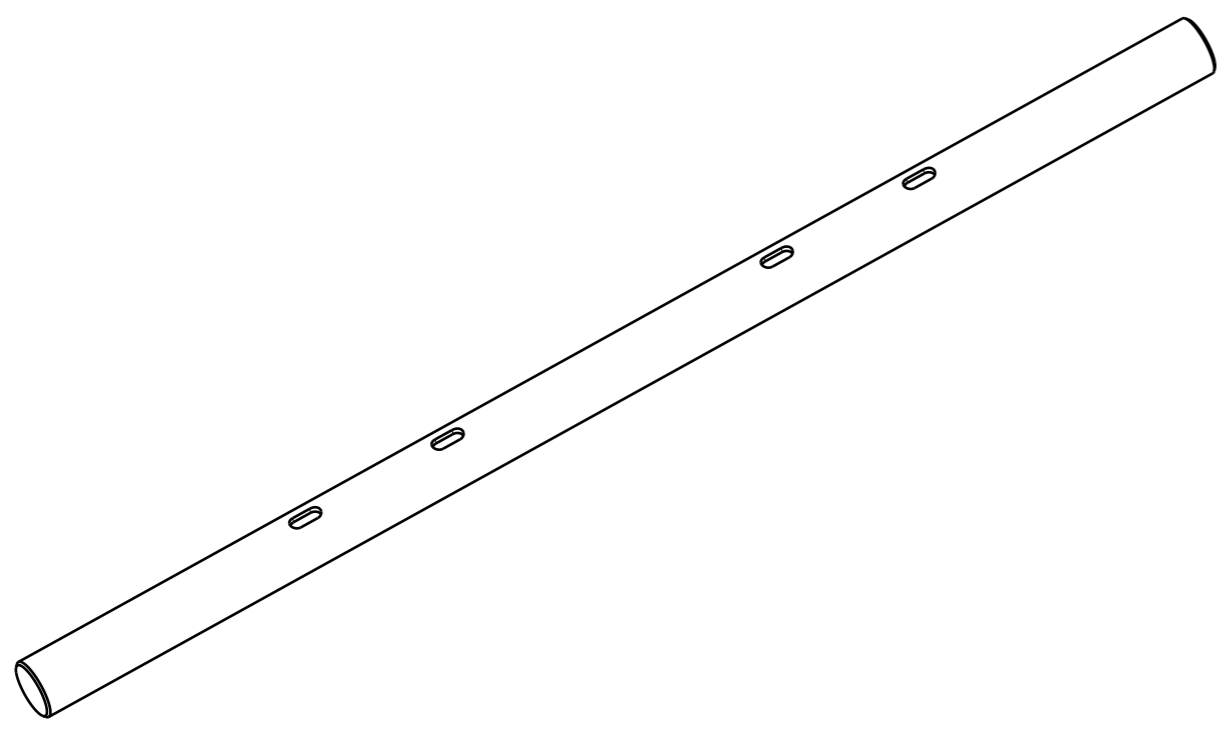
3



Section A-A
Echelle : 1:2

2

2



Vue isométrique
Echelle : 1:3

1

1

H G B A

DESIGNED BY: Christophe JOUY		Ply Name	Arbre	I	-
DATE: 16/11/2019		Material	Acier	H	-
CHECKED BY: XXX		Direction	XXXX	G	-
DATE: XXX		Thickness	XXXX	F	-
SIZE A3		SequenceID	XXXX	E	-
SCALE 1:2	WEIGHT (kg) XXX	Quantité	1	D	-
				C	-
				B	-
				A	-

This drawing is our property; it can't be reproduced or communicated without our written agreement.