

H G F E D C B A

4

3

2

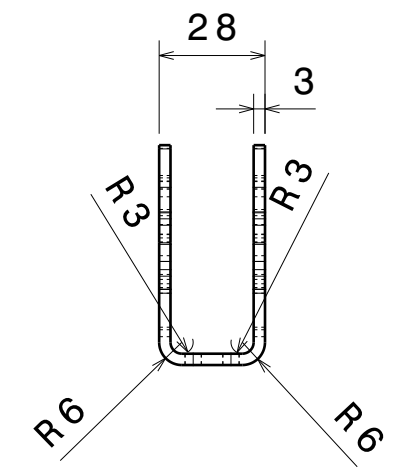
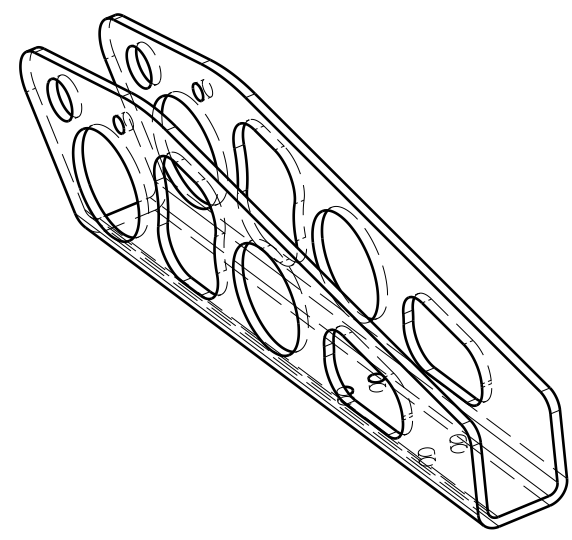
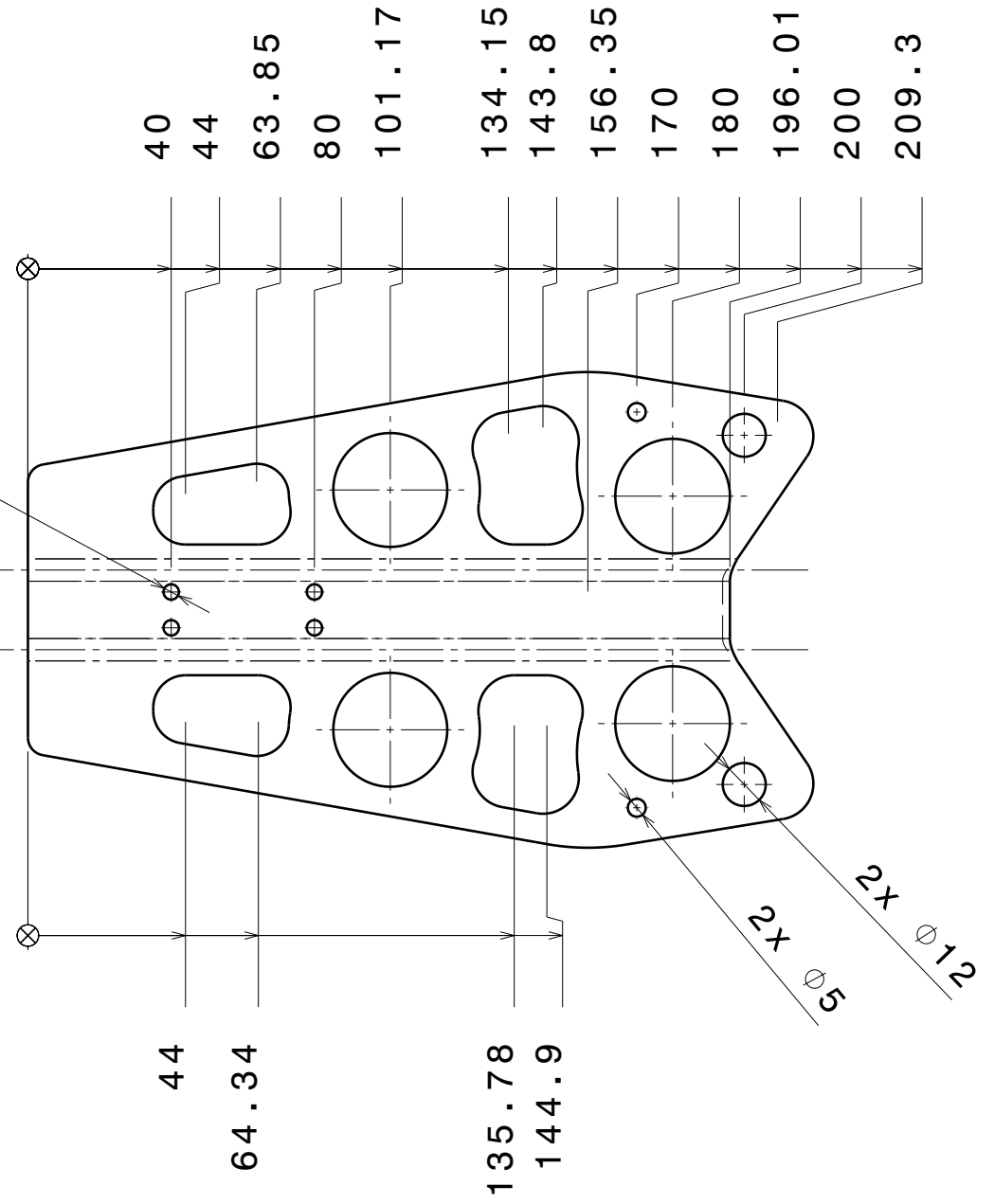
1


4

3

2

1



 **EstaCars**

DRAWN BY : Ludovic AGNES  
 DATE : 30/11/2018  
 SCALE : 1:2  
 MATERIEL : Aluminium 5754 H22  
 WEIGHT(kg) : 0.134  
 QUANTITY : 1

EstaCars FSE02 - Pôle L.A.S.	
Pedale de frein	
Brake pedal	
FSAE	
Emplacement réseau	
This drawing is our property. It can't be reproduced or communicated without our written agreement.	
SIZE	A3

H G F E D C B A