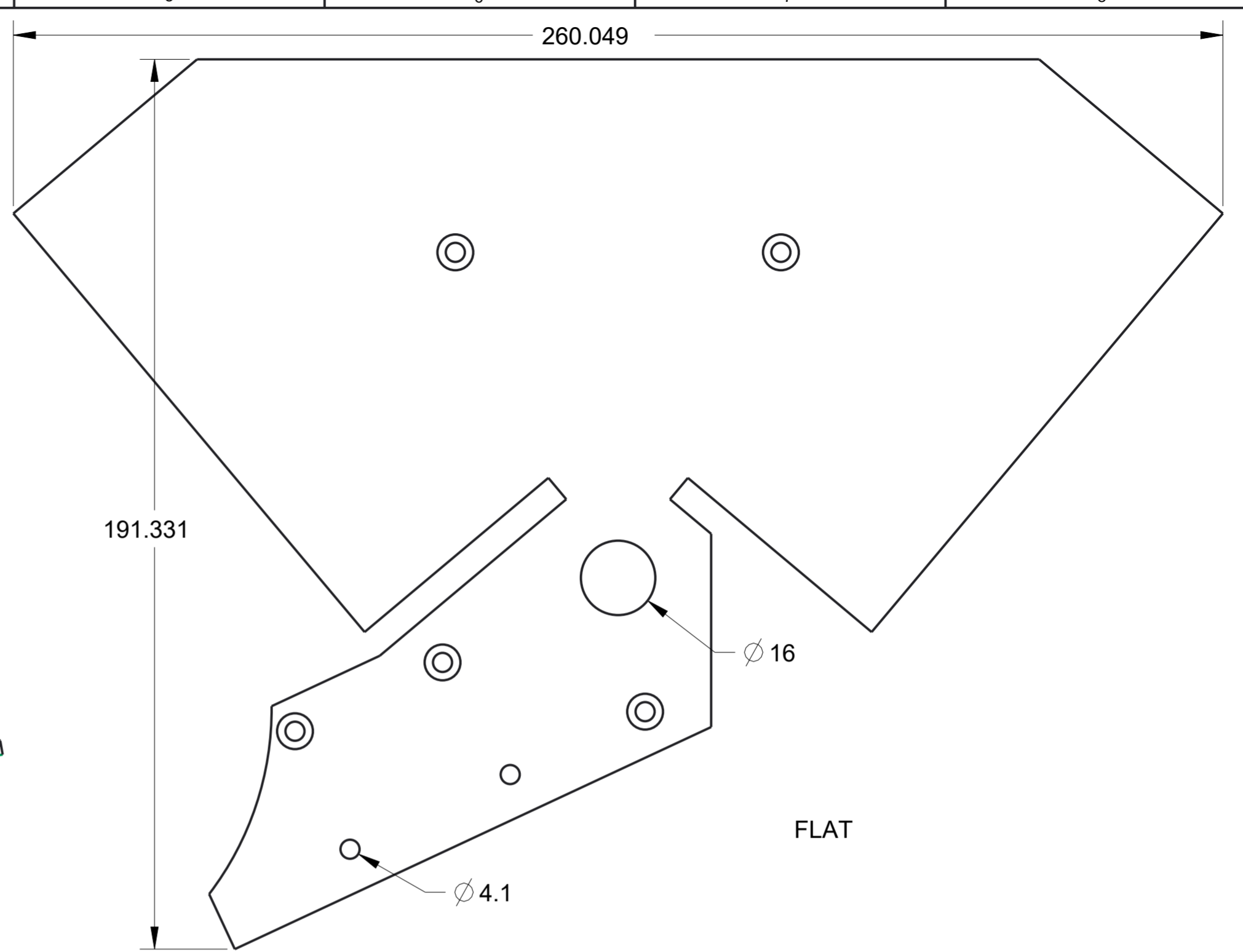
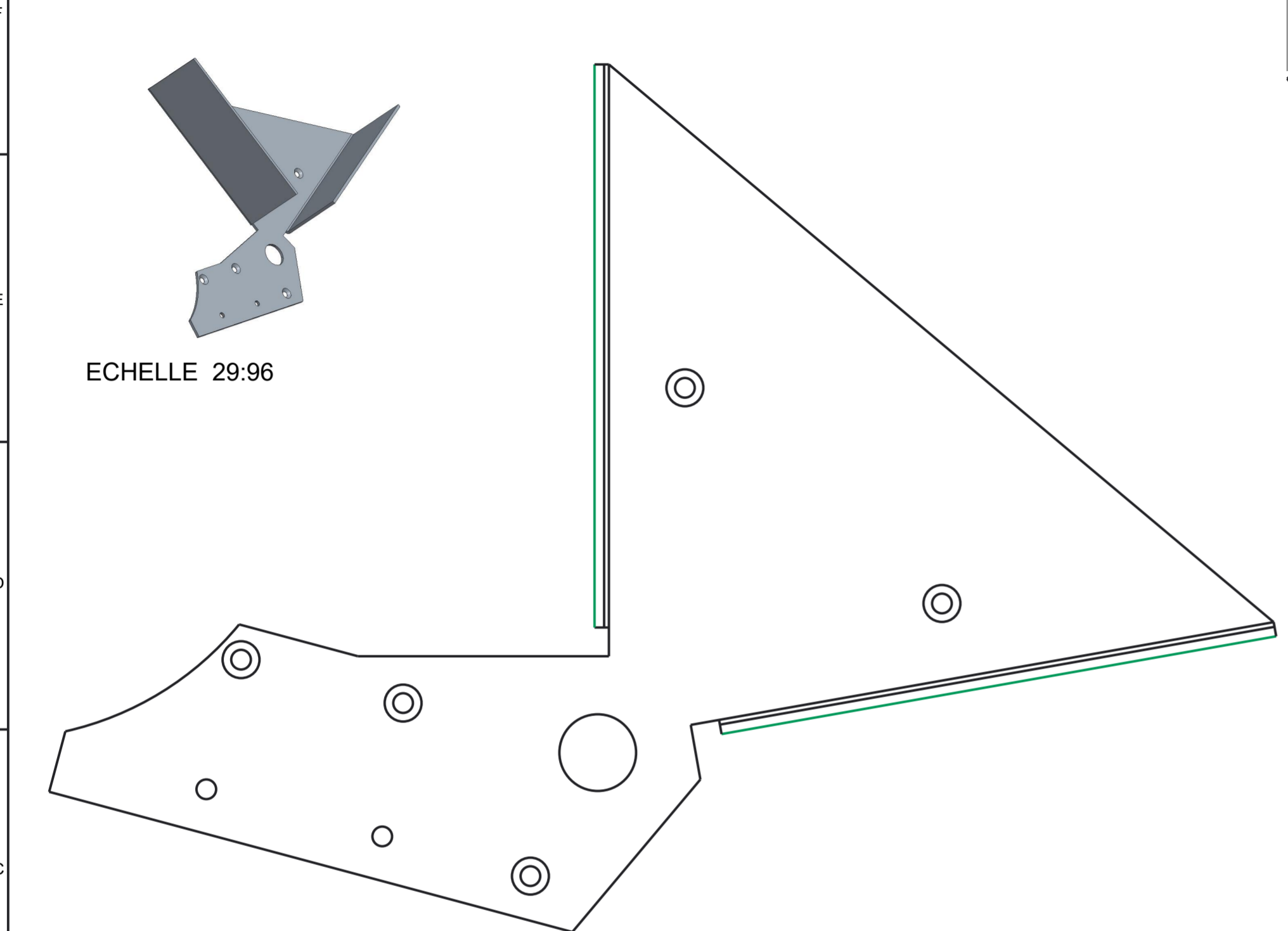
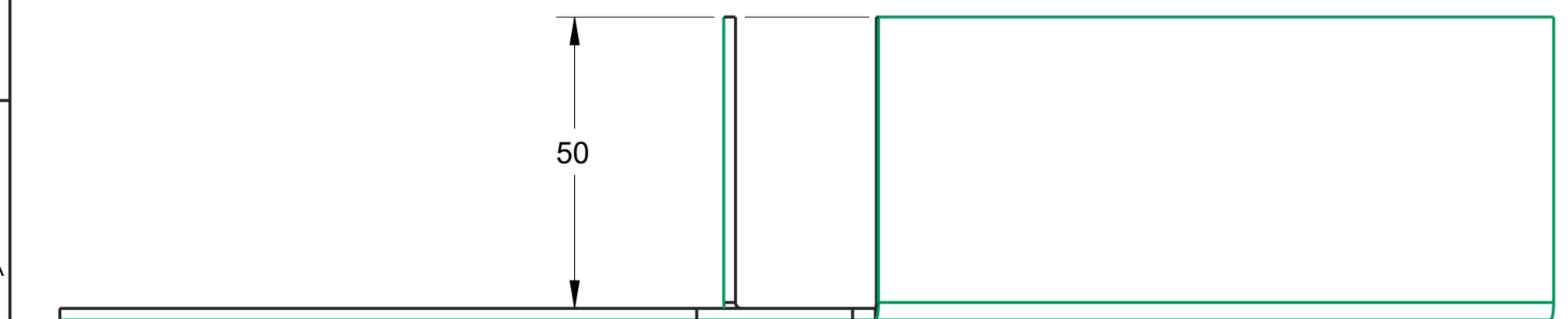


MODEL NAME
TREMIE

TITLE



CHANFREIN OPTIONNEL
MATERIE: AG3 OU AU4G 20/10mm



UNLESS OTHERWISE SPECIFIED ALL DIMENSIONS ARE IN MILLIMETERS. TOLERANCES ARE +/- 0.1MM +/- 1°	DRAWN BY		DATE
	CHECKED BY		DATE
	APPROVED BY		DATE
DO NOT SCALE	SCALE 1:1		SHEET 1 OF 1
	TITLE		
PROJECT		MODEL NAME TREMIE	ISSUE