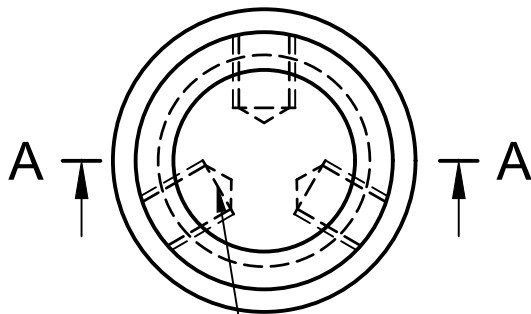
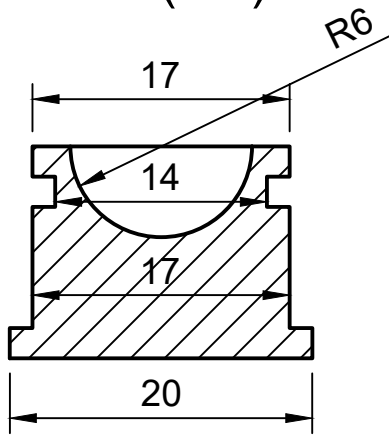
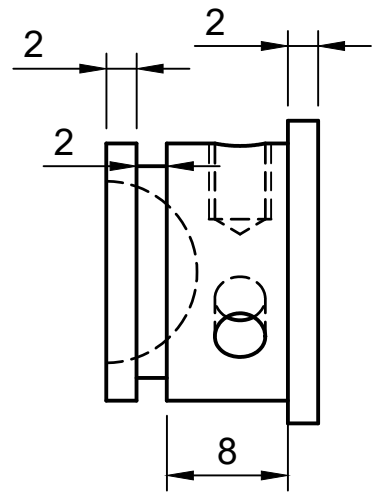


A-A (2:1)



M4 x 5mm (3x 120°)



Dept.	Technical reference	Created by Arthur STOECKLIN 14/10/2019	Approved by	
		Document type	Document status	
		Title bouchon 20mm	DWG No.	
		Rev.	Date of issue	Sheet 1/1