

D

C

B

A

4

4

3

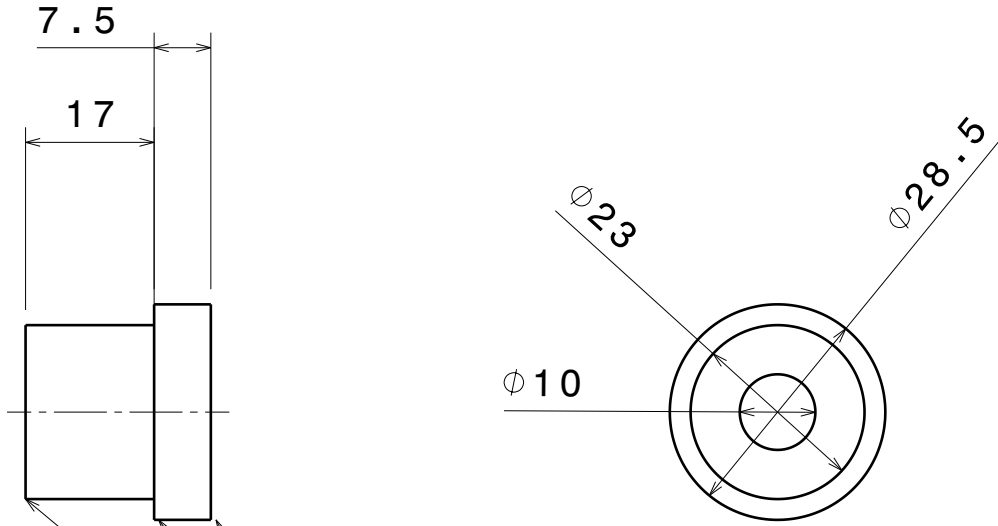
3

2

2

1


1



Casser les angles

DESIGNED BY:
Romain
 DATE:
30/09/2019
 CHECKED BY:
XXX
 DATE:
XXX

SIZE
A4



DASSAULT SYSTEMES

SCALE
1:1

WEIGHT (kg)
0.03

DRAWING NUMBER
Bague

SHEET
1 / 1

This drawing is our property; it can't be reproduced or communicated without our written agreement.

D

A