

6

5

4

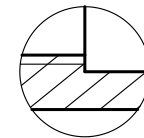
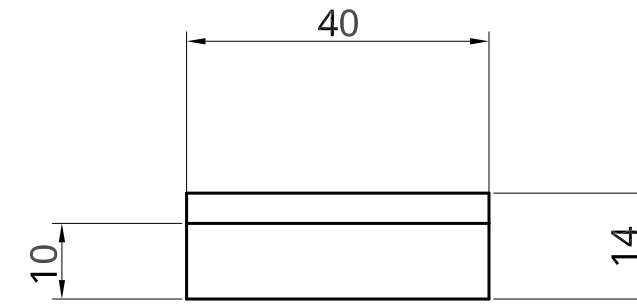
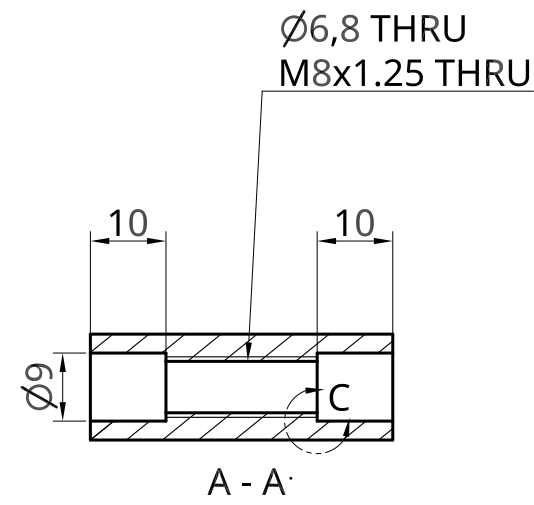
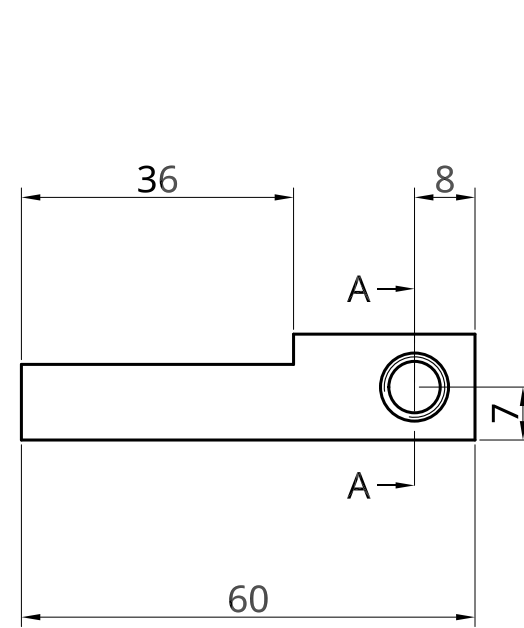
3

2

1

D

D

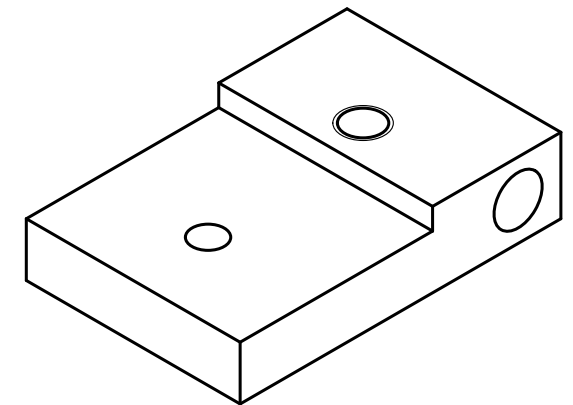
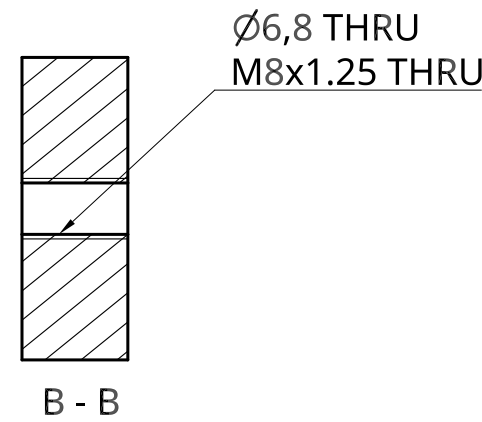
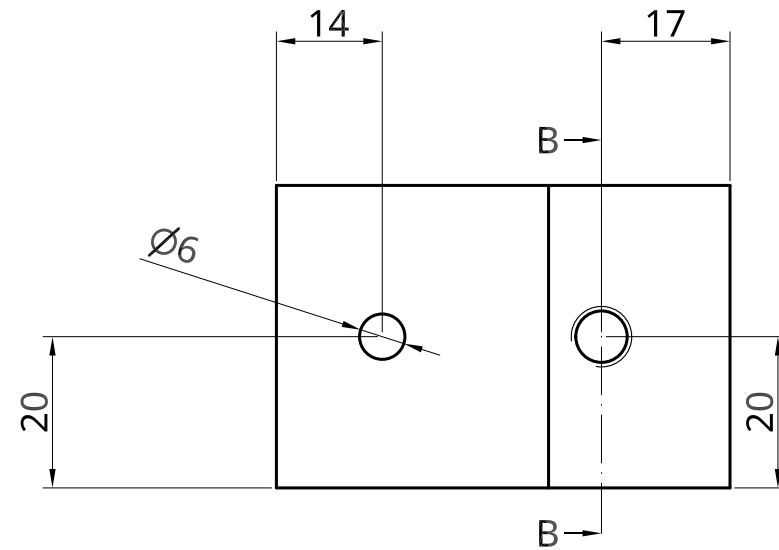


toute forme admise : l'angle droit n'est pas fonctionnel

C
2:1

C

C



B

B

A

A

UNLESS OTHERWISE SPECIFIED,
DIMENSIONS ARE IN MILLIMETERS

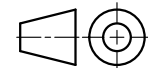
ANGULAR = ± °

SURFACE FINISH

DO NOT SCALE DRAWING

BREAK ALL SHARP EDGES AND
REMOVE BURRS

FIRST ANGLE PROJECTION



	NAME	SIGNATURE	DATE
DRAWN	RICHARD CICCONE		2019-09-02
CHECKED			
APPROVED			

TITLE			
porte-masselottes			
SIZE A3	DWG NO. 02 sept 2019	REV. 1	
SCALE 1:1	WEIGHT estimé 75 gr	SHEET 1 of 1	

6

5

4

3

2

1