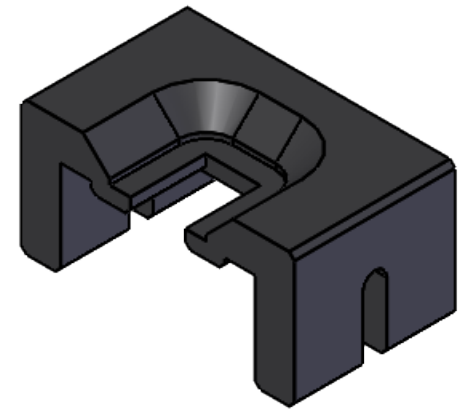
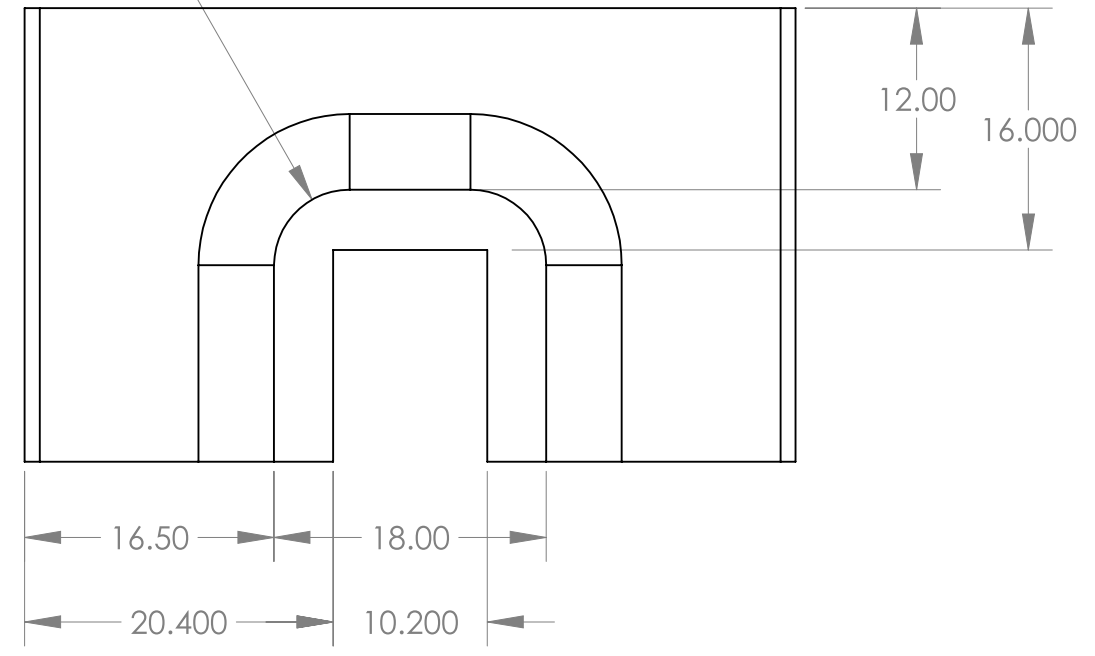


8 7 6 5 4 3 2 1

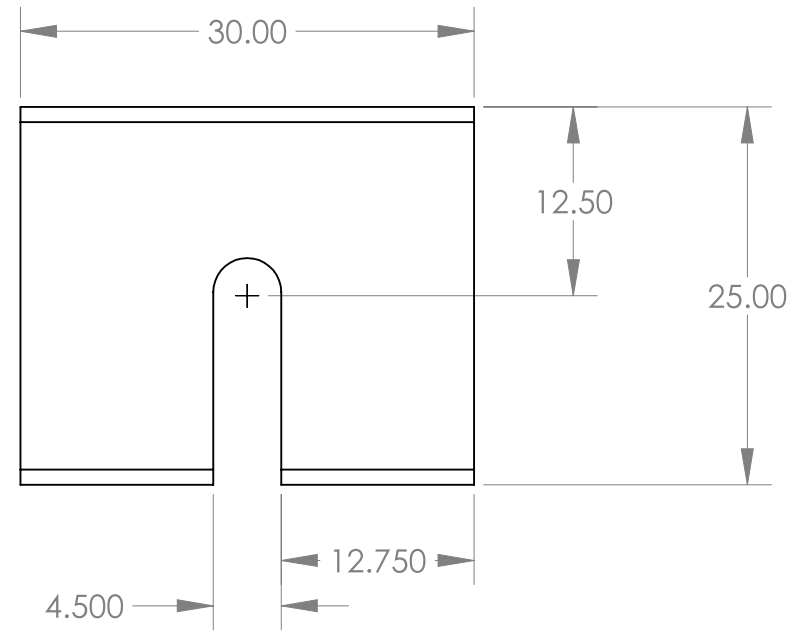
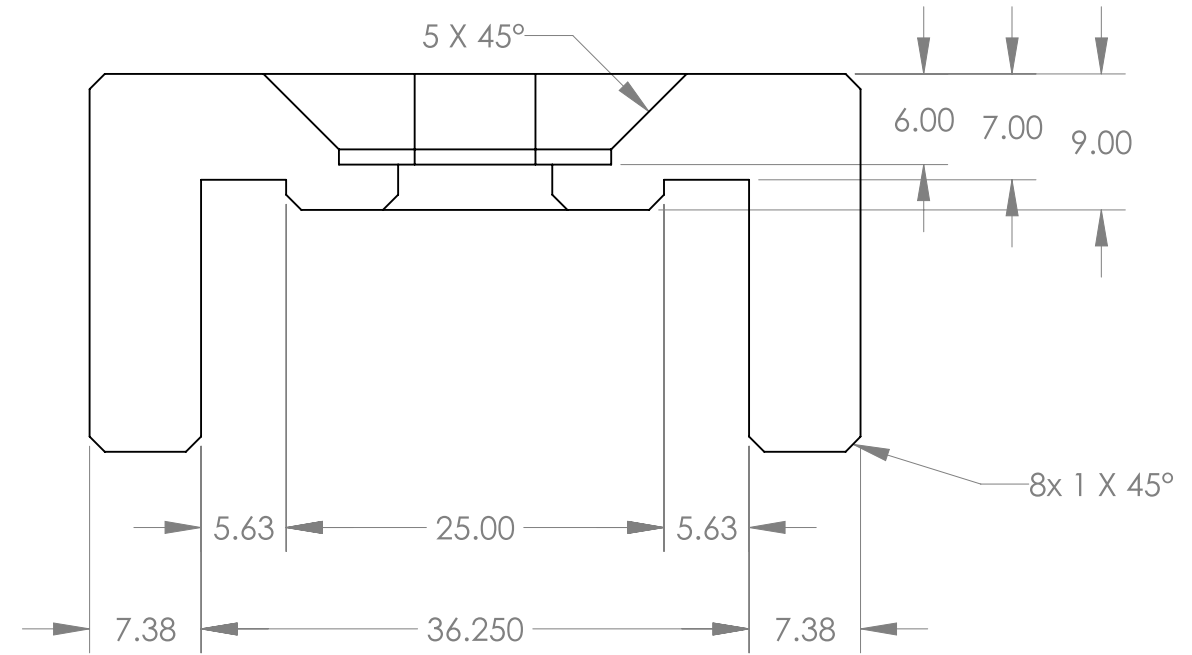
REVISIONS

REV	DESCRIPTION	DATE	APPROVED
01	DEVELOPMENT	03/07/19	

2x R5



5 X 45°



-THIS PART TO BE RoHS COMPLIANT-

UNLESS OTHERWISE SPECIFIED DIMENSIONS ARE IN MILLIMETERS		CAD GENERATED DRAWING, DO NOT MANUALLY UPDATE	
TOLERANCES ARE:			
ANGLES	DECIMALS	FINISH	
±1/2°	.X ±	125	
	.XX ± .25		
	.XXX ± .127		
MATERIAL	DELIN - BLACK		
FINISH	NONE		
FILENAME	EFI0029 Slide-Prism Assembly Module - Top		

APPROVALS	DATE
DRAWN	07/03/2019
CHECKED	

**EFI0029**  
SLIDE-PRISM ASSEMBLY MODULE - TOP

DO NOT SCALE DRAWING	REV
SIZE B SCALE 2:1 SHEET 1 OF 1	01

8 7 6 5 4 3 2 1