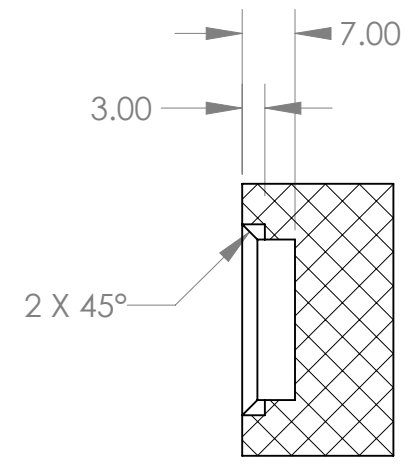
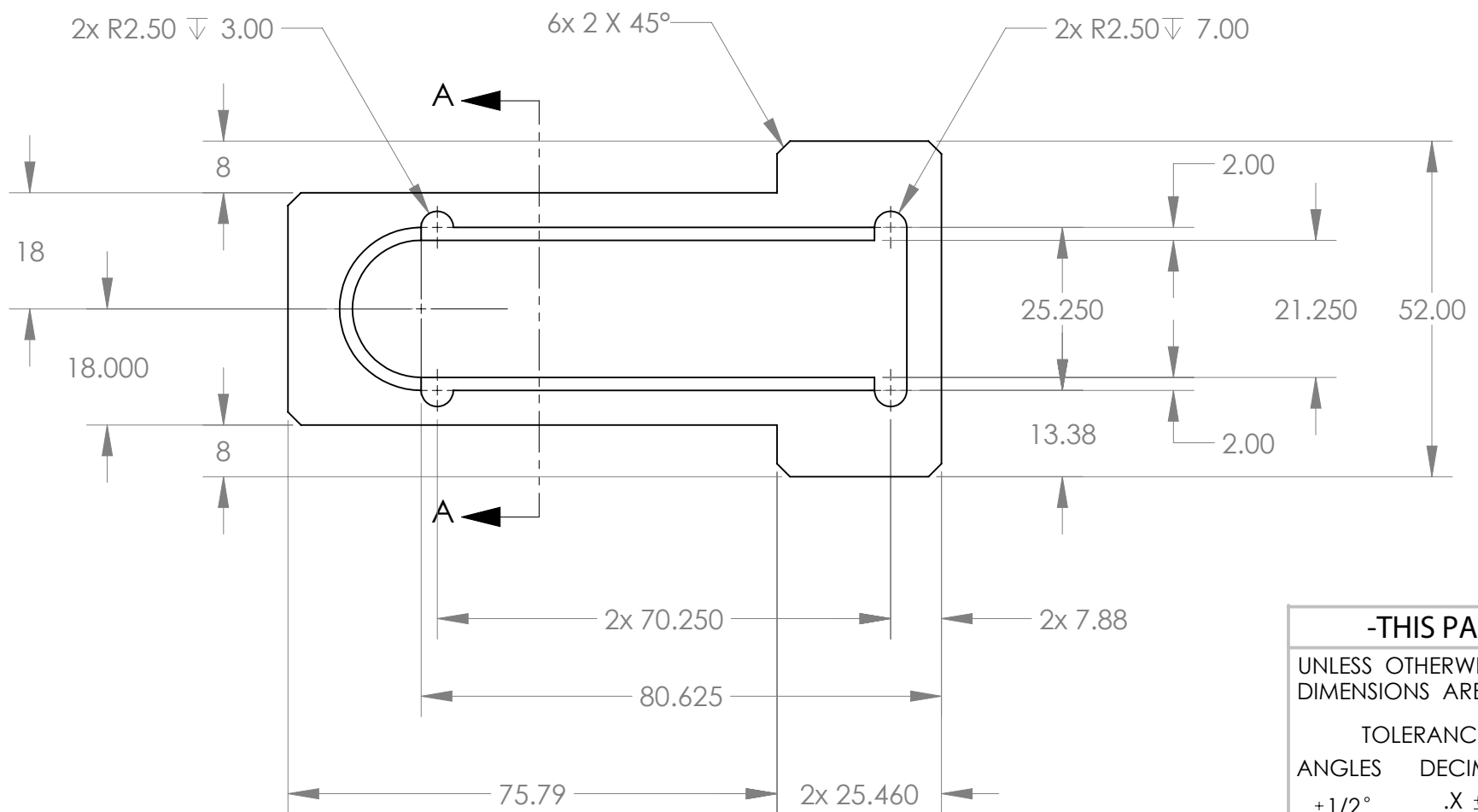
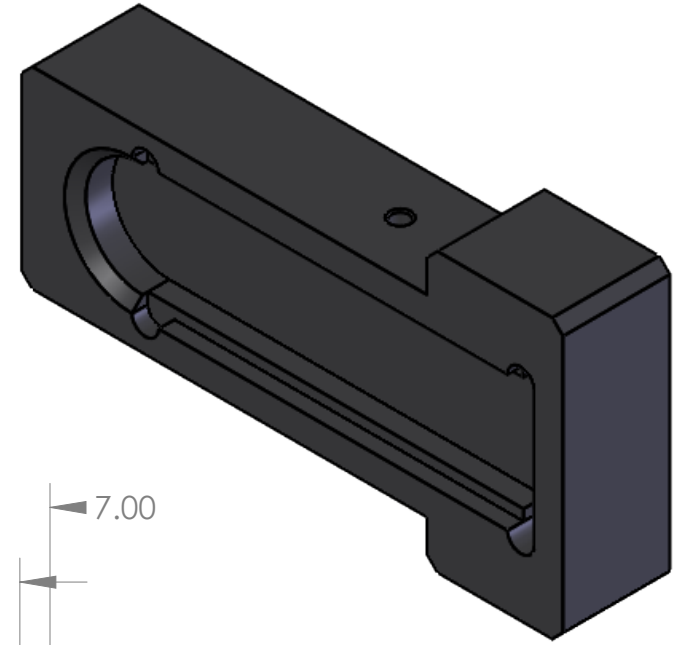
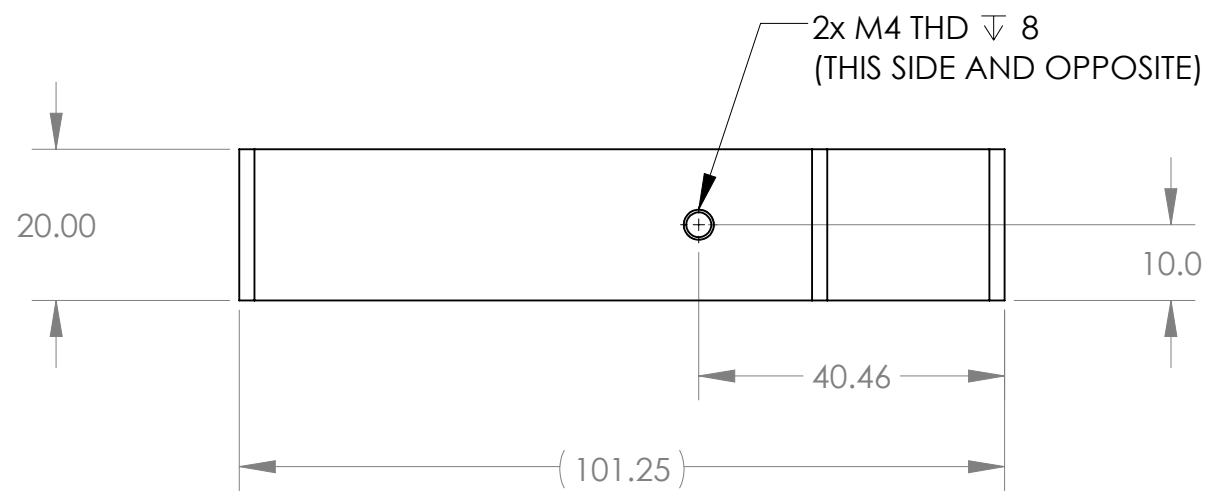


REVISIONS			
REV	DESCRIPTION	DATE	APPROVED
01	DEVELOPMENT	03/07/19	



SECTION A-A

-THIS PART TO BE RoHS COMPLIANT-		
UNLESS OTHERWISE SPECIFIED DIMENSIONS ARE IN MILLIMETERS		CAD GENERATED DRAWING, DO NOT MANUALLY UPDATE
TOLERANCES ARE:		APPROVALS
ANGLES	DECIMALS	DATE
$\pm 1/2^\circ$.X \pm	DRAWN
	.XX \pm .25	CHECKED
	.XXX \pm .127	
MATERIAL	DELFIN - BLACK	
FINISH	NONE	
FILENAME	EFI0028 Slide-Prism Assembly Module - Bottom	

EFI0028			
SLIDE-PRISM ASSEMBLY MODULE - BOTTOM			
DO NOT SCALE DRAWING			REV
SIZE	SCALE	SHEET	REV
B	1:1	1 OF 1	01