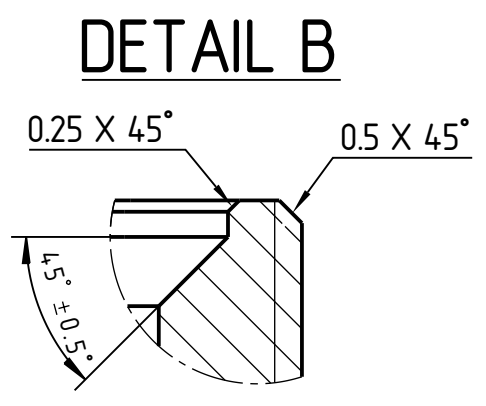
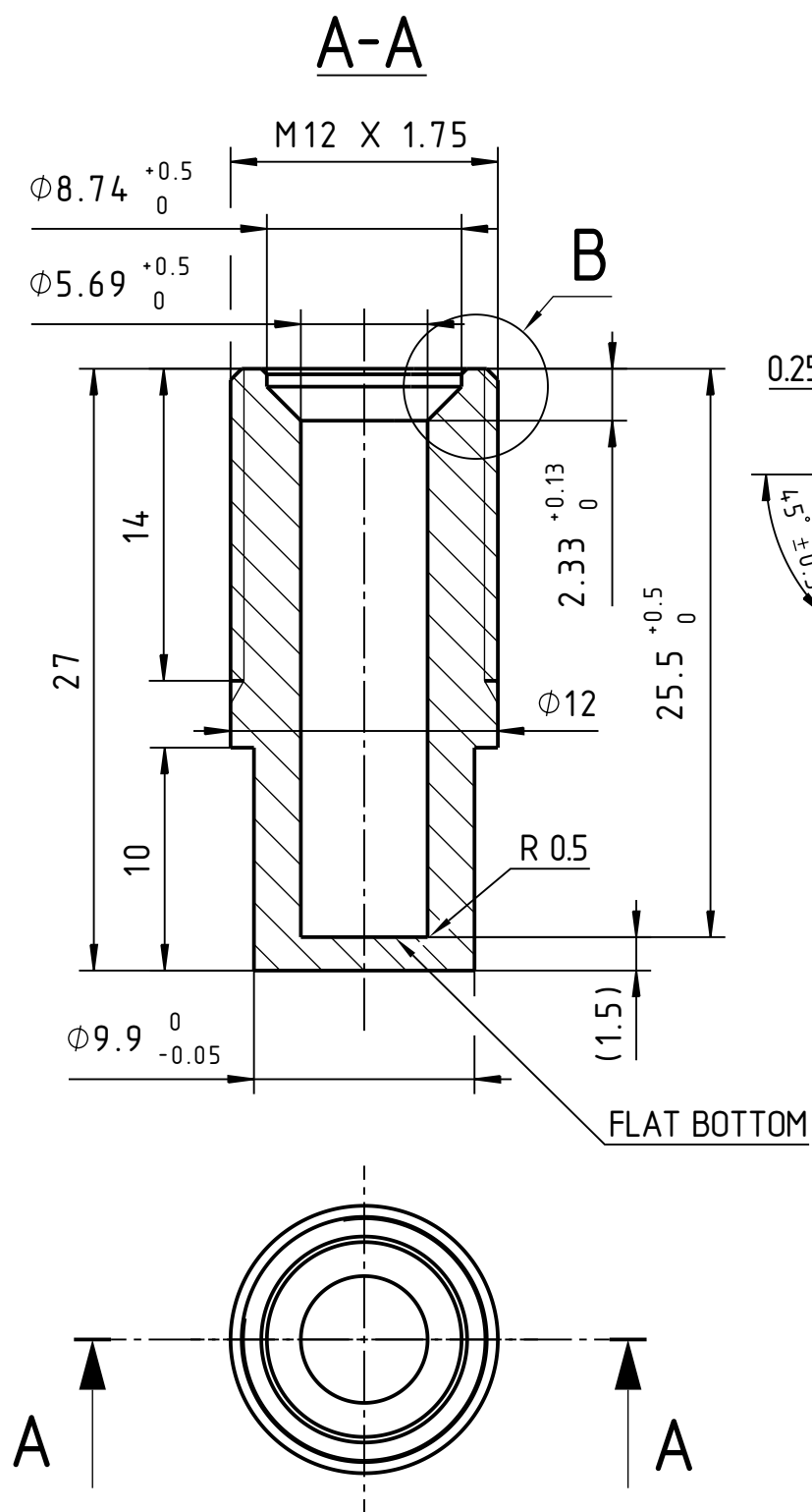


© COPYRIGHT 2018 General Electric Company. All rights reserved. The information herein is proprietary information of General Electric Company. Thus, it is being provided with the explicit expectation of restricted use. All persons or legal entities receiving this information shall be deemed by the act of its receipt to have contractually agreed to make no duplications, reproductions or any nature by any means, modifications, disclosures, or use any portion of this material, except as is expressly authorized in writing by General Electric Company and/or its legitimate affiliates.


Dept. Document No.	8130 FBSE400959
Type	TC
Rev. Released	A
Lang.	EN
Status	Approved



BREAK ALL SHARP EDGES

MASS: 0.02 kg

GE Proprietary Information
NLR
Non-Public

Similar To: (Derived from):	First made for (Resp. Dep.):	Language:	State:	Parts List:
-	8130	85		Yes
Created By:	Reviewed By:	Review Date (YYYY-MM-DD):	Approved By:	Approve Date (YYYY-MM-DD):
V.FAUVIN	2019-03-11 e_rmgarc		2019-03-11 e_rmgarc	
 GE Power	Drawing Type:	Scale:	Sheet Size:	
	TC	%	A4	
	Drawing Title:			
	POCKET TUBE			
Creation Date:	Dwg No.	Revision:	Sheet:	
2019-02-20	FBSE400959	A	1/1	