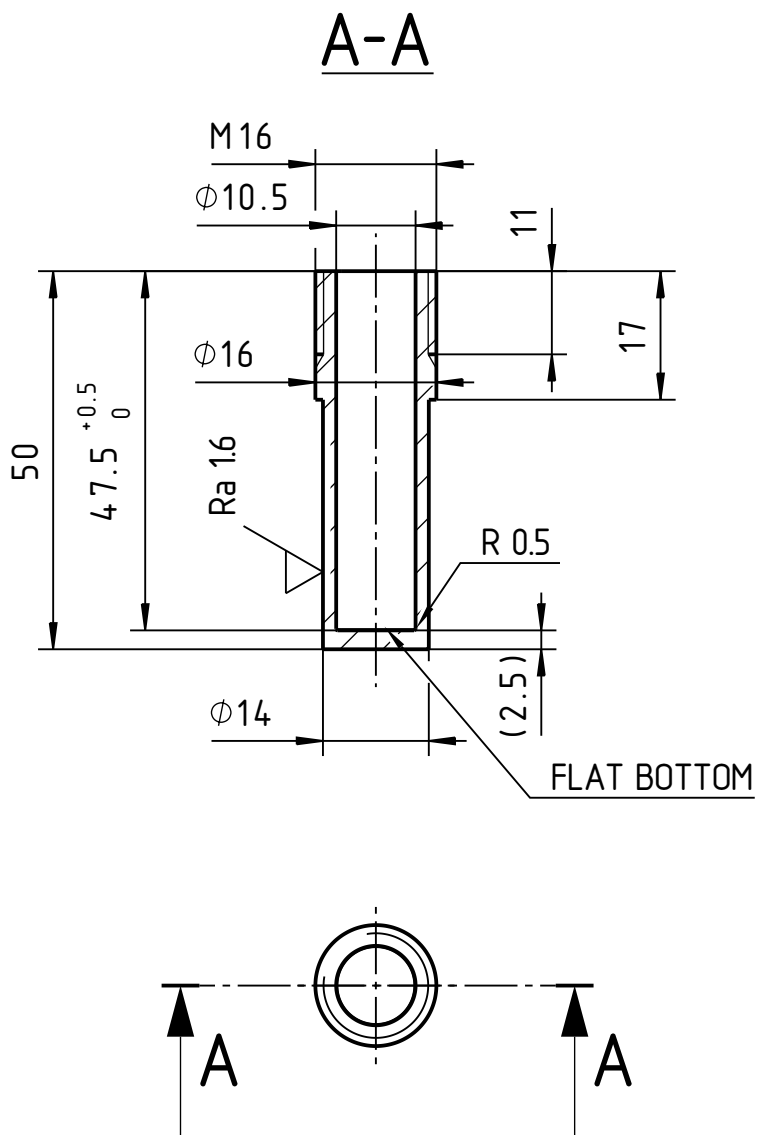



© COPYRIGHT 2018 General Electric Company.  
 All rights reserved. The information herein is proprietary information of General Electric Company. Thus, it is being provided with the explicit expectation of restricted use. All persons or legal entities receiving this information shall be deemed by the act of its receipt to have contractually agreed to make no duplications, reproductions or any nature by any means, modifications, disclosures, or use any portion of this material, except as is expressly authorized in writing by General Electric Company and/or its legitimate affiliates.

Dept.	Document No.	Type	Rev.	Released	Lang.	Status
8130	FBSE400957	TC	A	2019-03-11	EN	Approved



BREAK ALL SHARP EDGES

MASS: 0,034kg

Similar To: (Derived from): -	First made for (Resp. Dep.): 8130	Language: 85	State:	Parts List: Yes
Created By: V.FAUVIN	Reviewed By: 2019-03-11 e_rmgarc	Review Date (YYYY-MM-DD):	Approved By: 2019-03-11 e_rmgarc	Approve Date (YYYY-MM-DD):
 <b>GE Power</b> -	Drawing Type: TC	Scale: %	Sheet Size: A4	
	Drawing Title: ADAPTATOR			
Creation Date: 2019-02-19	Dwg No. FBSE400957	Revision: A	Sheet: 1/1	

GE Proprietary Information  
 Non-Public  
 NLR