

4

3

2

1

D

D

C

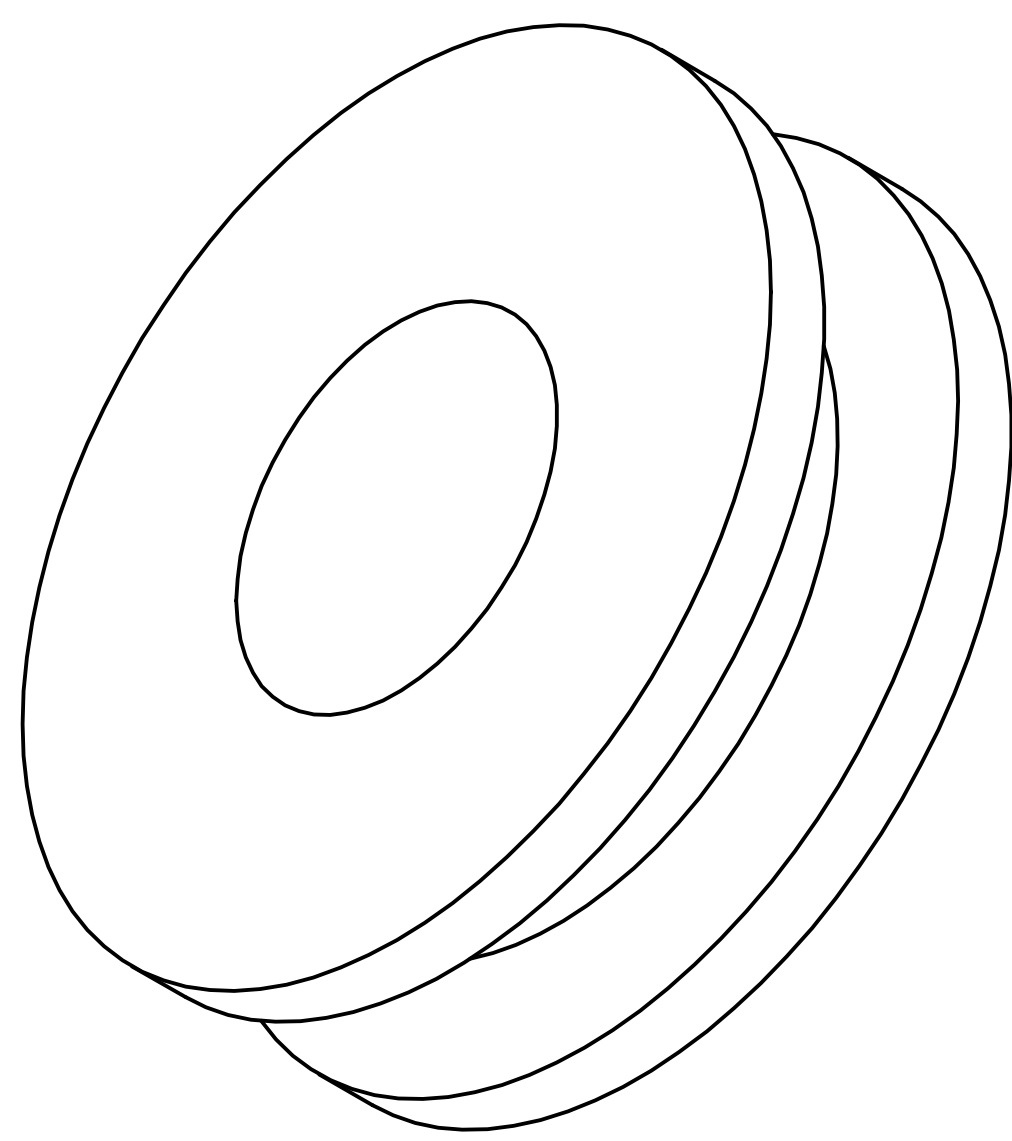
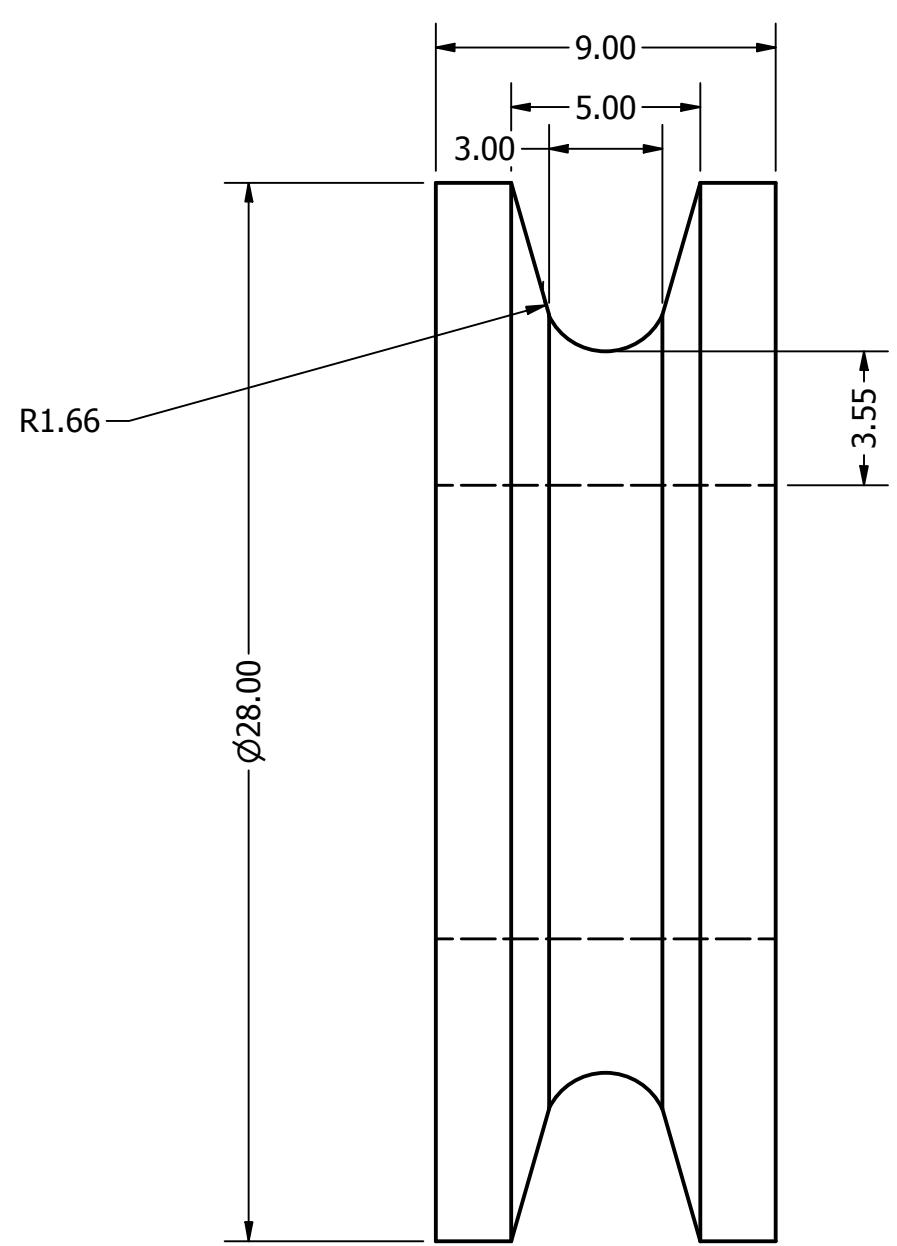
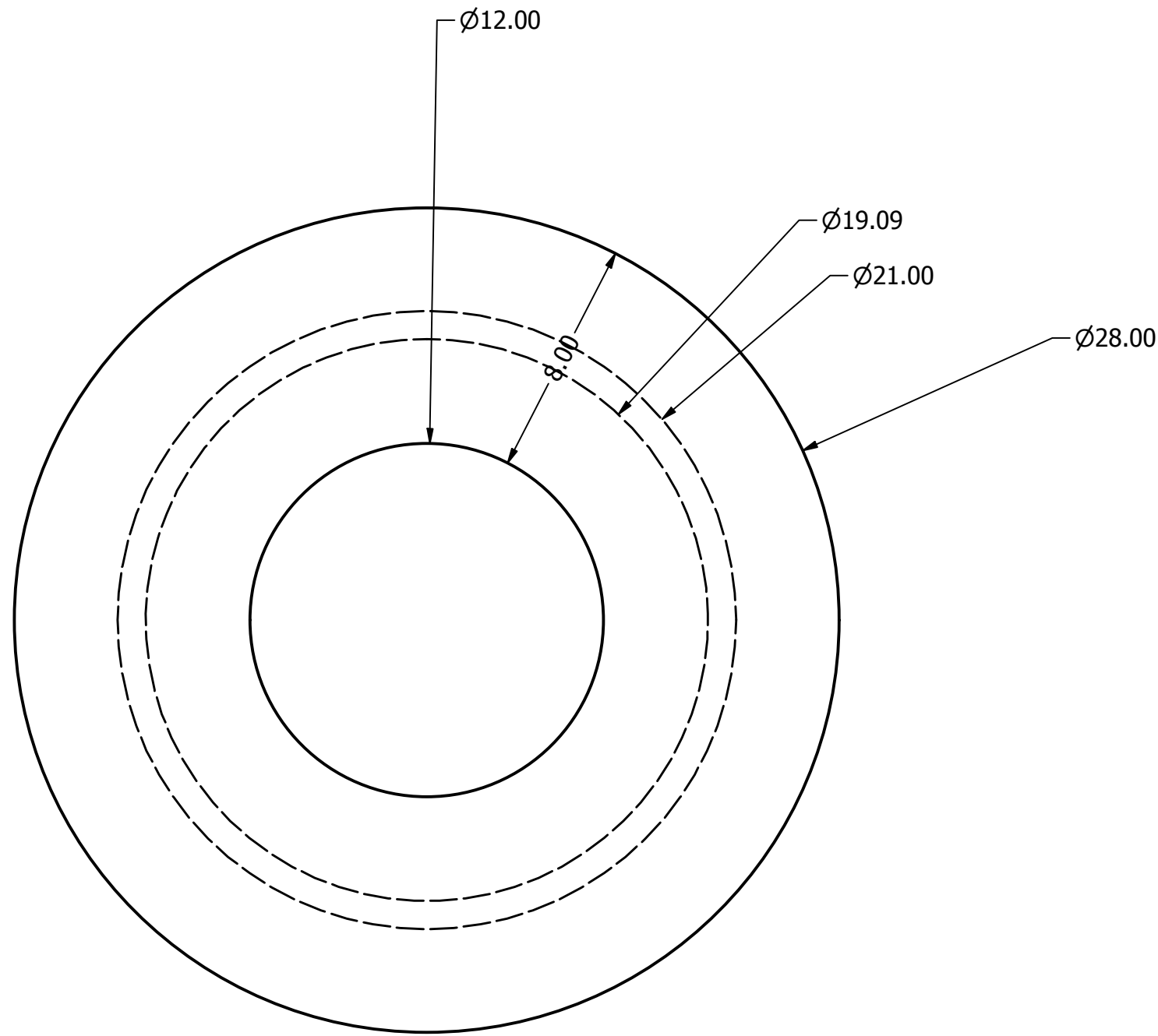
C

B

B

A

A



Quantité: 2
 Matière: Aluminium
 Tolérance générale: +/-0.1mm
 Traitement: sans

DRAWN	17/04/2019	TITLE		
CHECKED				
QA				
MFG				
APPROVED		SIZE	DWG NO	REV
		C	poulie	
		SCALE	5 : 1	SHEET 1 OF 1