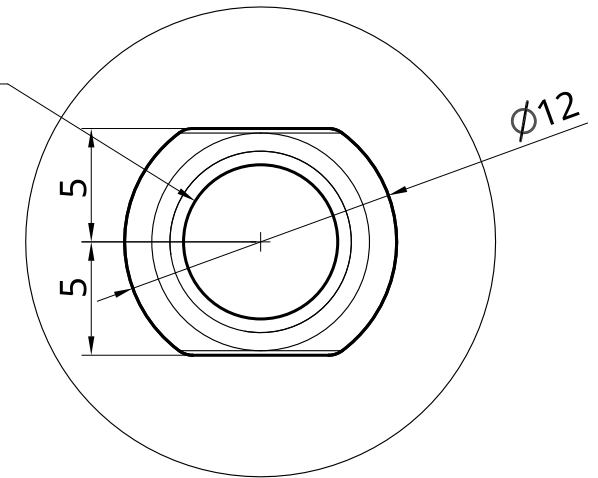
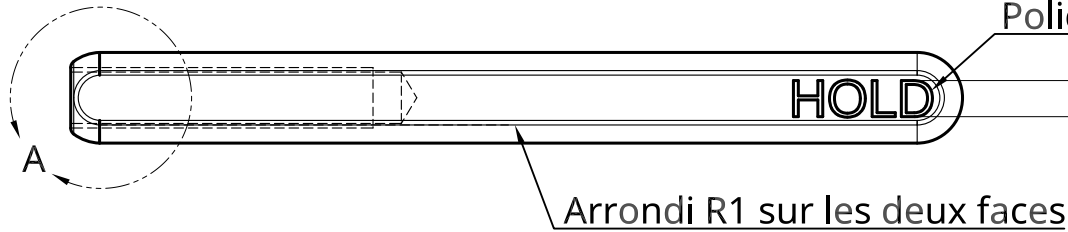
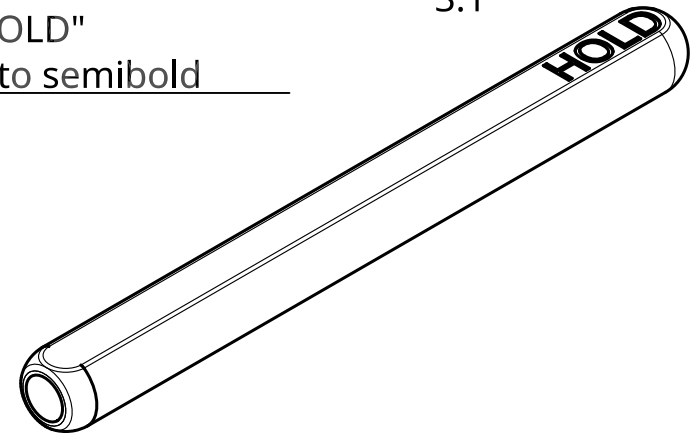


$\varnothing 6,8 \nabla 43,75$   
 $M8 \times 1.25 \nabla 40$

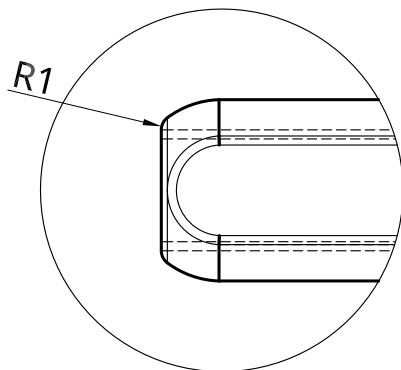



B  
3:1

Gravure "HOLD"  
Police Nunito semibold



A  
2:1



UNLESS OTHERWISE SPECIFIED, DIMENSIONS ARE IN MILLIMETERS  ANGULAR = $\pm$ °  SURFACE FINISH $\sqrt{\quad}$  DO NOT SCALE DRAWING  BREAK ALL SHARP EDGES AND REMOVE BURRS  FIRST ANGLE PROJECTION  	NAME	SIGNATURE	DATE	TITLE  <h2 style="text-align: center;">UseMonBout</h2>
	DRAWN	CBou	2019-02-25	
	CHECKED			
	APPROVED	CEO Vallois		
MATERIAL	FINISH		SIZE <b>A4</b>	REV <b>58</b>
		SCALE 1:1		WEIGHT
			SHEET 1 of 1	