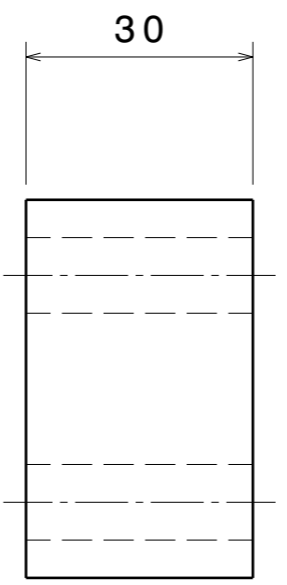


H G F E D C B A

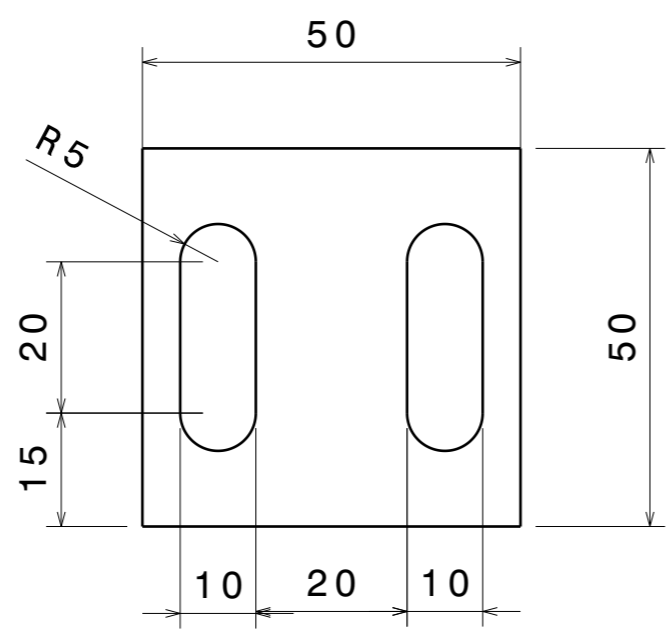
4

Tolérances générales : ±1
Ra: 12.5 sauf indications

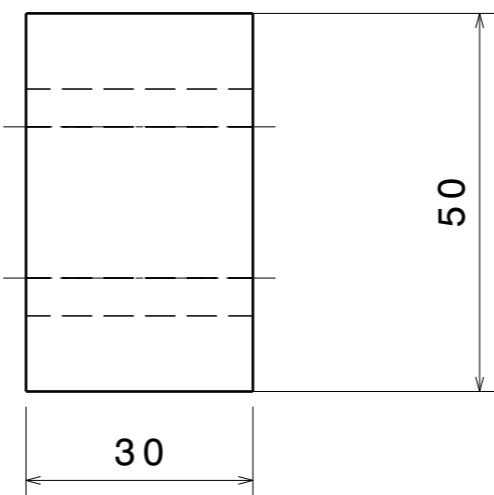


Vue de dessous
Echelle : 1:1

3



Vue de droite
Echelle : 1:1



Vue de face
Echelle : 1:1

2

2

1

1

| | | | | |
|----------------------------------|------------------------------------|----------------|---|---|
| DESIGNED BY: mMagliulo | Bloc Matière : aluminium | | I | - |
| DATE: 22/03/2019 | | | H | - |
| CHECKED BY: XXX | | | G | - |
| DATE: XXX | | | F | - |
| SIZE A3 | | | E | - |
| SCALE 1:1 | WEIGHT (kg) | DRAWING NUMBER | D | - |
| | | | C | - |
| | | | B | - |
| | | | A | - |
| SHEET 1/1 | | | | |

This drawing is our property; it can't be reproduced or communicated without our written agreement.

H G B A