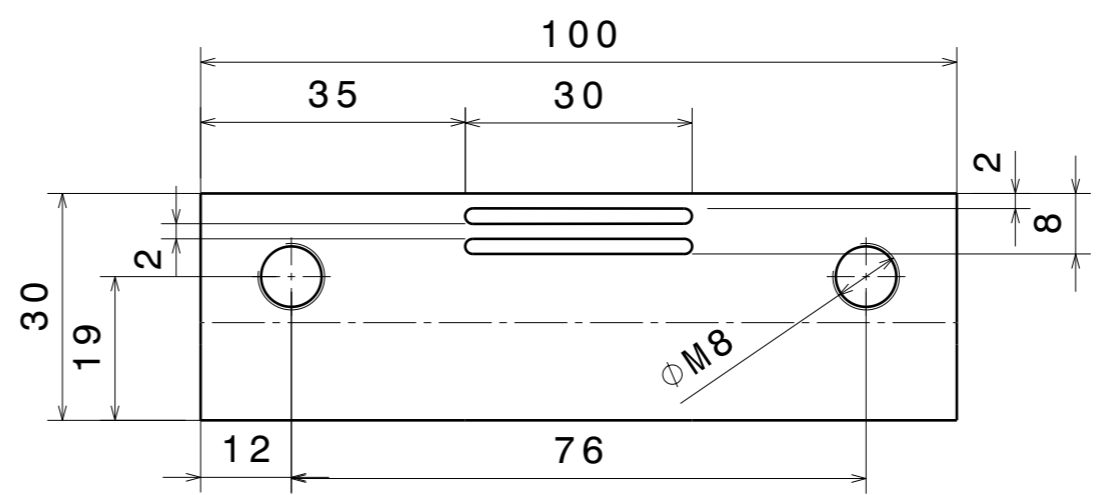
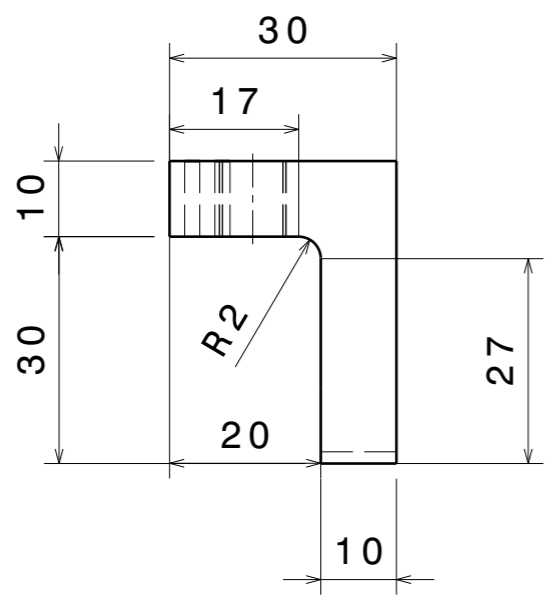


H G F E D C B A

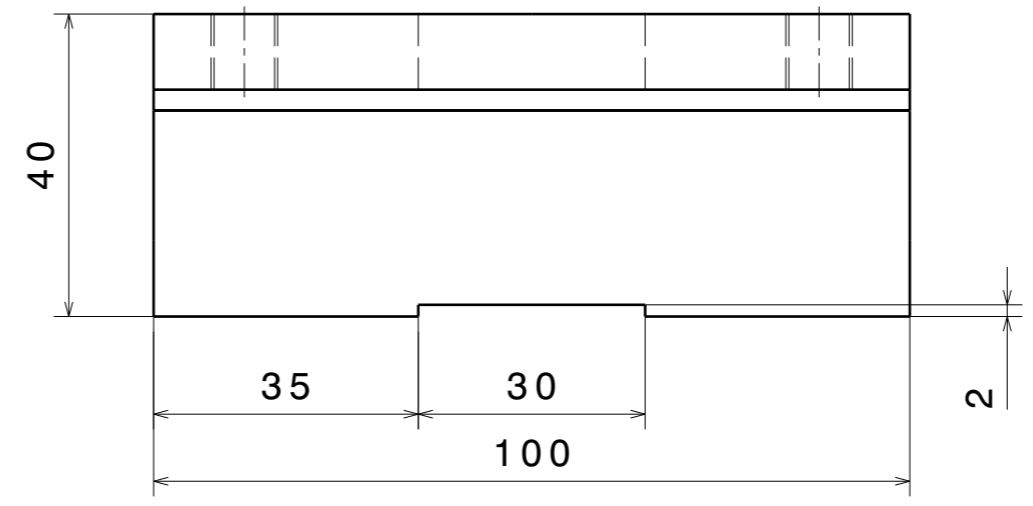
Tolérances générales : ± 1
 Sauf Indications
 Ra 12.5



Vue de dessous
 Echelle : 1:1



Vue de droite
 Echelle : 1:1



Vue de face
 Echelle : 1:1

DESIGNED BY: mMagliulo	Support partie basse		I	-
DATE: 21/03/2019			Matière : Aluminium	
CHECKED BY: XXX			G	-
DATE: XXX			F	-
SIZE: A3			E	-
SCALE: 1:1			D	-
WEIGHT (kg): XXX	DRAWING NUMBER: XXX	SHEET: 1/1	C	-
This drawing is our property; it can't be reproduced or communicated without our written agreement.			B	-
			A	-

H G B A