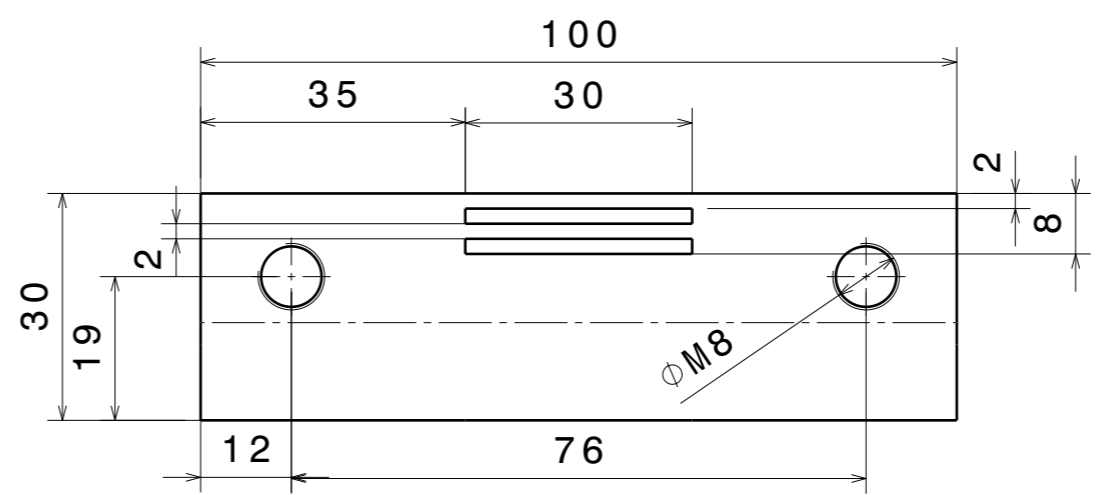
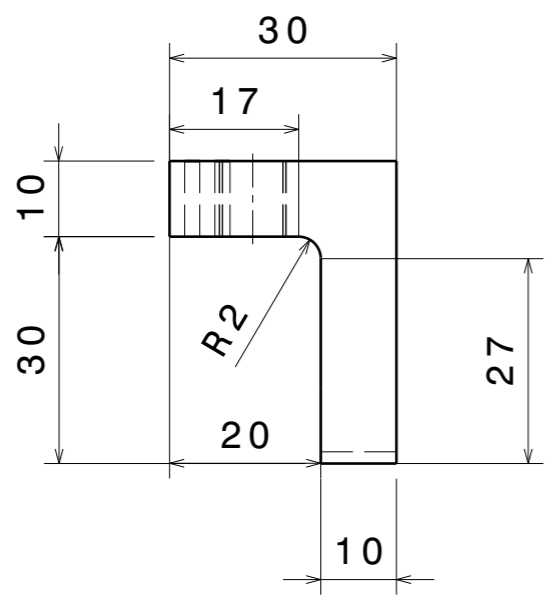


H G F E D C B A

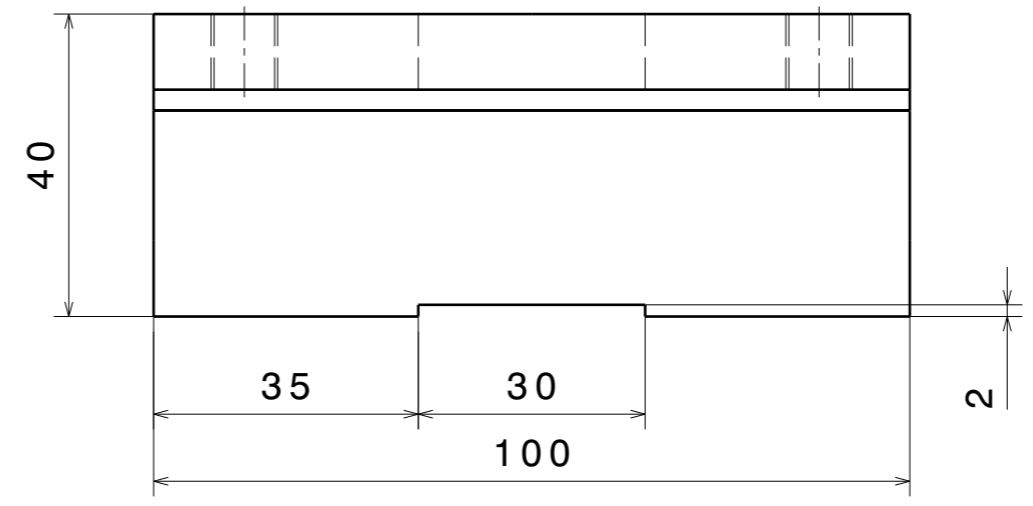
Tolérances générales : ± 1
 Sauf Indications
 Ra 12.5



Vue de dessous
 Echelle : 1:1



Vue de droite
 Echelle : 1:1



Vue de face
 Echelle : 1:1

DESIGNED BY: mMagliulo		Support partie basse Matière : Acier S185		I	-
DATE: 21/03/2019				H	-
CHECKED BY: XXX				G	-
DATE: XXX				F	-
SIZE: A3				E	-
SCALE: 1:1				WEIGHT (kg): XXX	D
DRAWING NUMBER: XXX		SHEET: 1/1		C	-
				B	-
				A	-

This drawing is our property; it can't be reproduced or communicated without our written agreement.

H G B A