

F

E

D

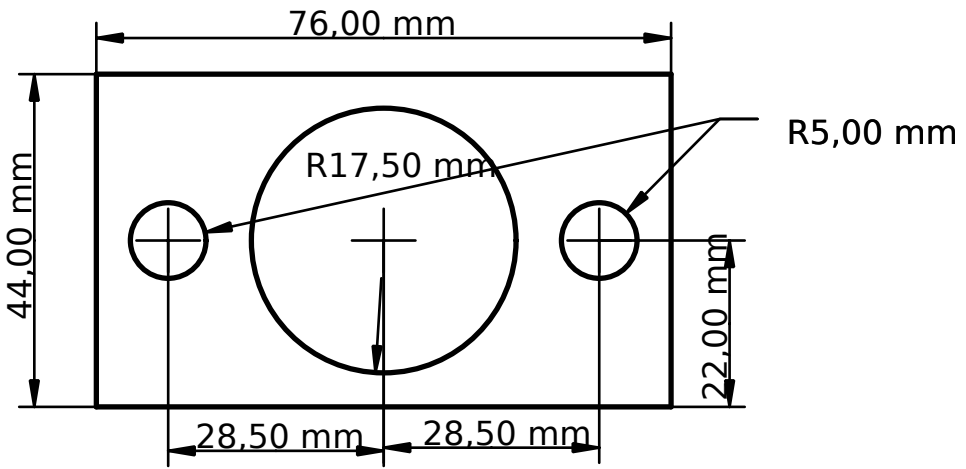
C

B

A

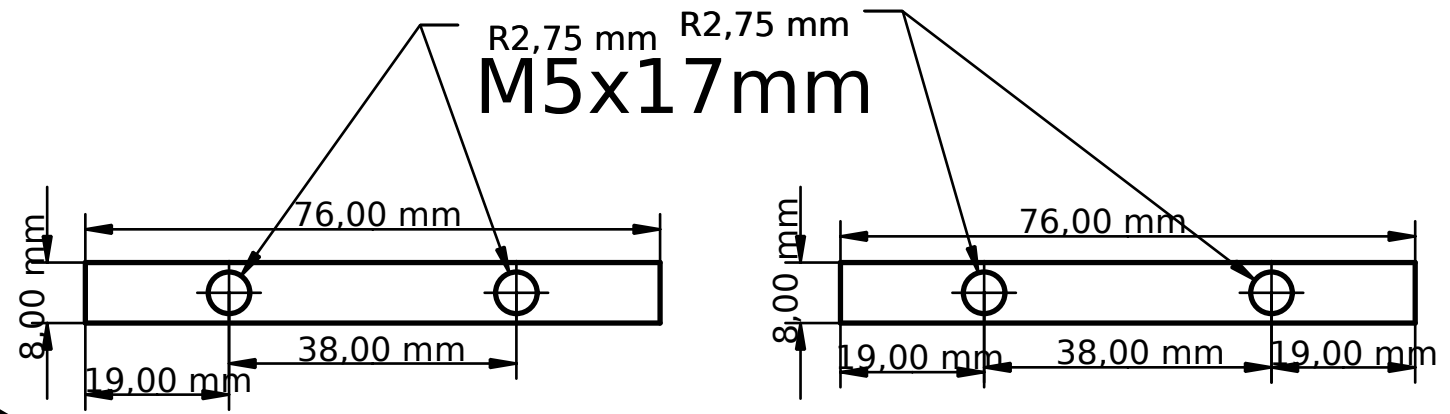
4

4



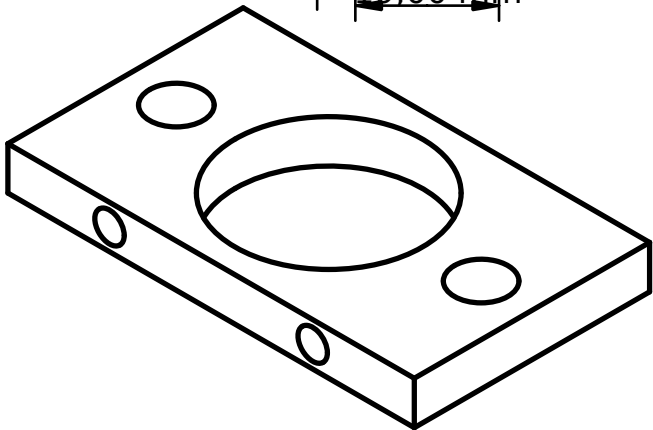
3

3



2

2



1

1

F

E

D

DESIGNED BY: Designed by Aurélien Leca		Plan Support maître cylindre		G	-
DATE: 12/02/2019				F	-
SIZE A4				E	-
				D	-
SCALE	WEIGHT (kg)	DRAWING NUMBER	SHEET	C	-
Scale	Weight	Drawing number	Sheet	B	-
This drawing is our property; it can't be reproduced or communicated without our written consent.				A	-

