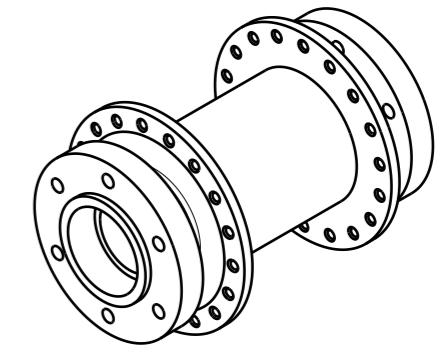
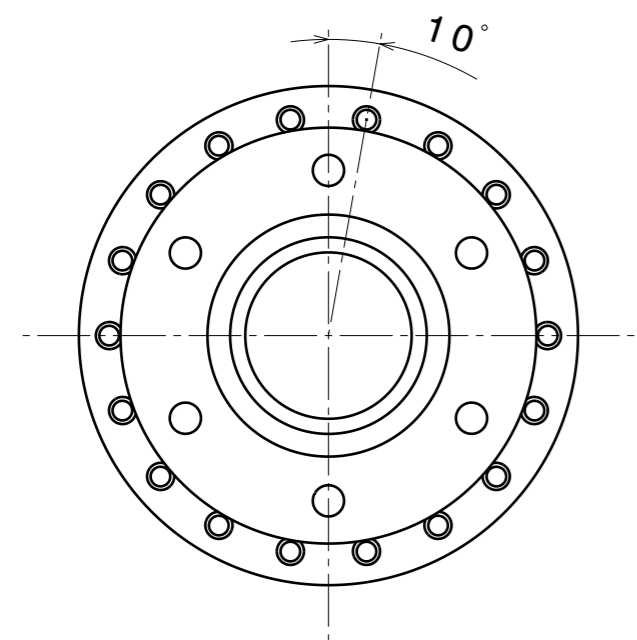


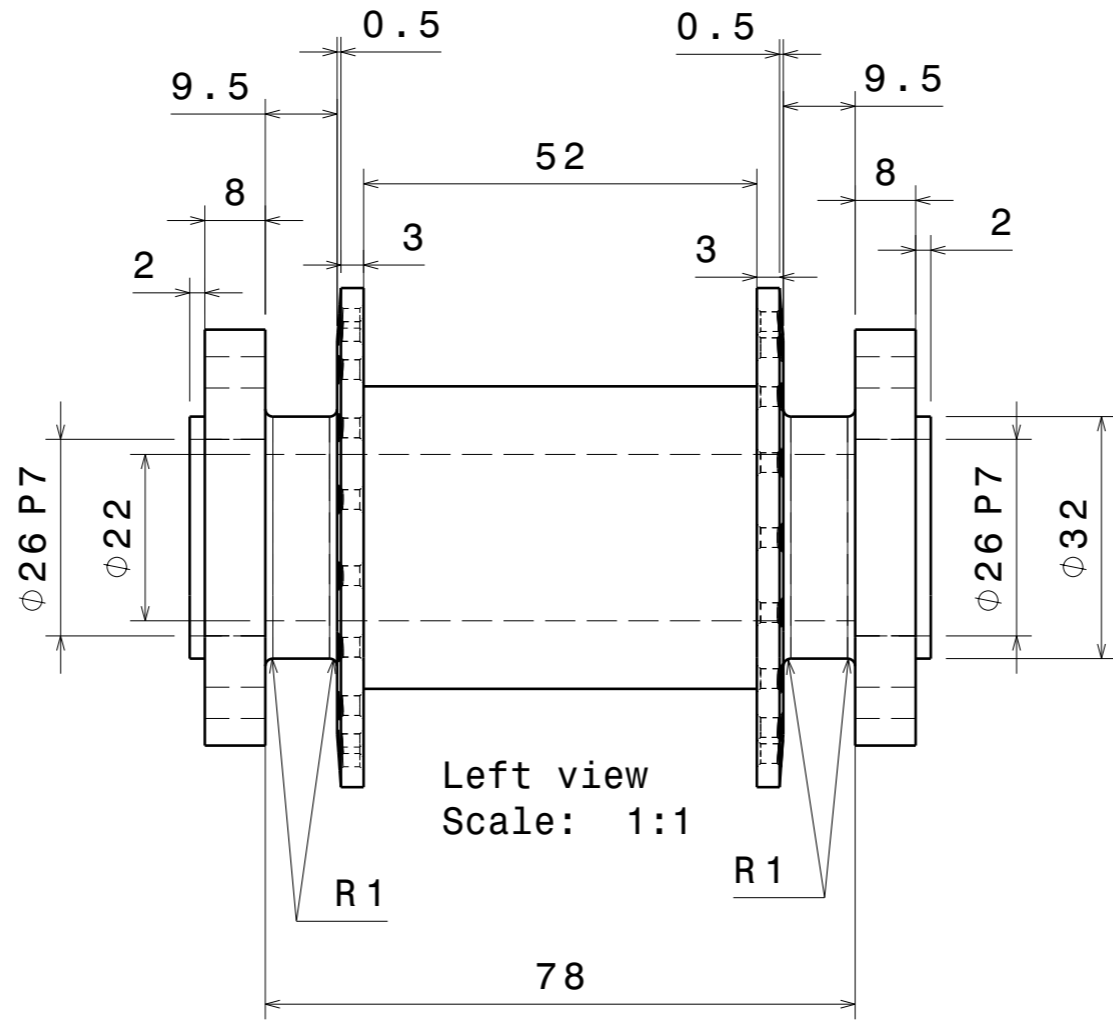
H G F E D C B A



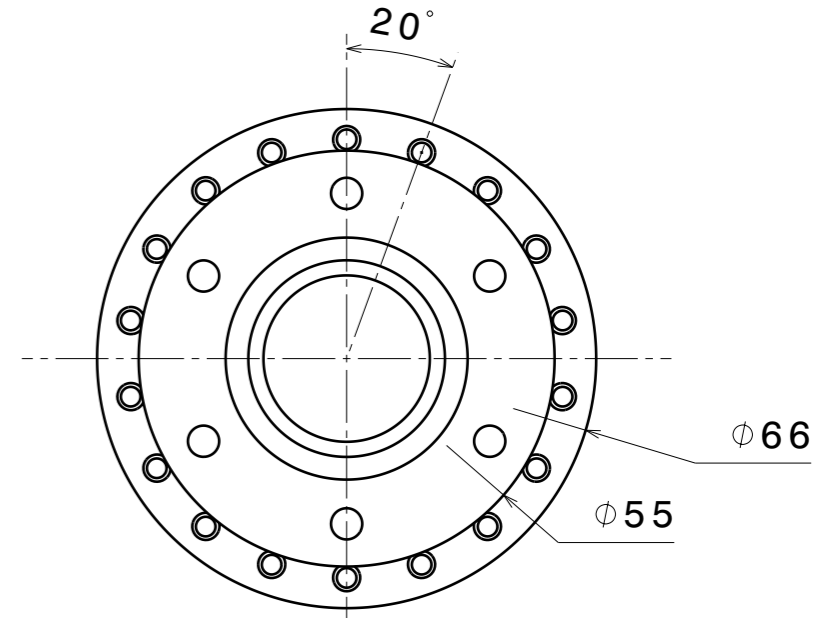
Isometric view  
Scale: 1:2



Front view  
Scale: 1:1



Left view  
Scale: 1:1



Rear view  
Scale: 1:1

Note :  
Toutes les cotes sont en mm  
Tolérance général = ±0,2mm sauf indication contrainte

DRAWN BY <b>Dob44</b>	DATE 15/01/2019	DRAWING TITLE <b>Corps de Moyeux</b>			
CHECKED BY <b>XXX</b>	DATE xxx	SIZE <b>A3</b>	DRAWING NUMBER		REV <b>X</b>
DESIGNED BY <b>XXX</b>	DATE xxx	SCALE 1:1	WEIGHT (kg) 0,10	SHEET 1/1	

H G B A