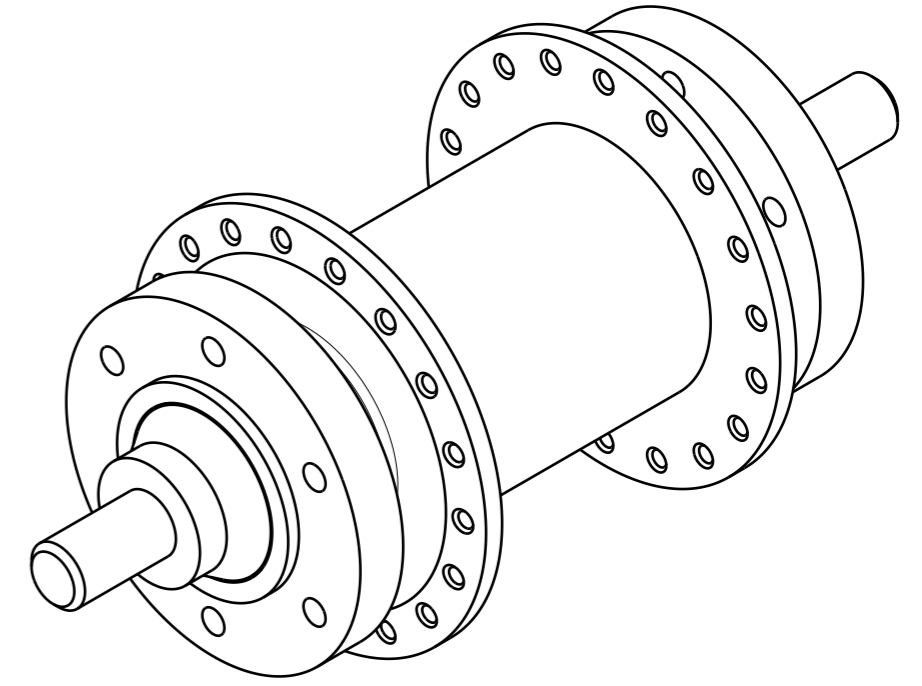


H G F E D C B A

4

4

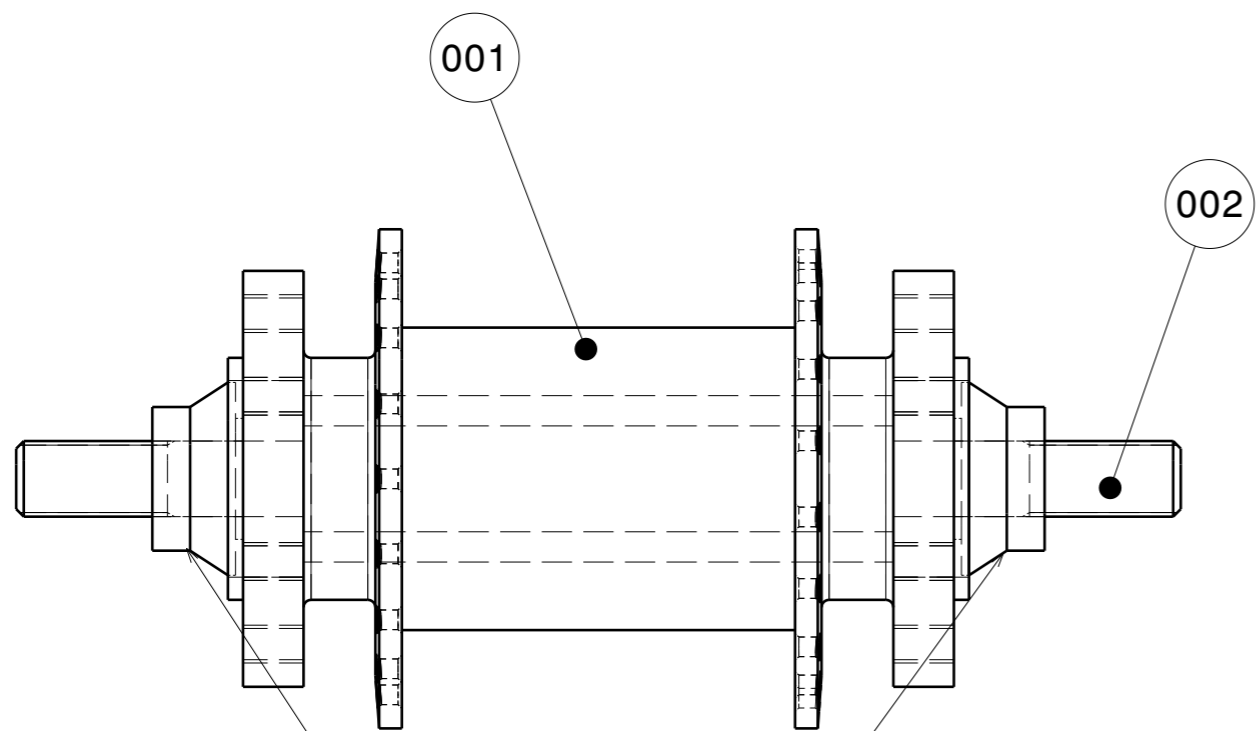
REP	Designation	Quantité
001	Corps de moyeux	1
002	Axe de moyeux	1
003	Spacer de Moyeux	2



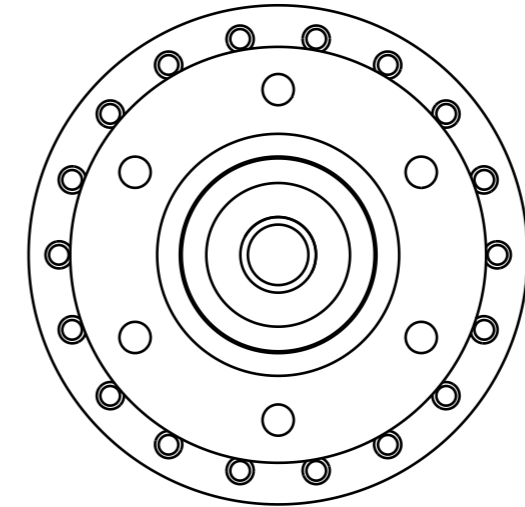
Isometric view
Scale: 1:1

3

3



Front view
Scale: 1:1



Left view
Scale: 1:1

2

2

1

1

H G B A

DRAWN BY Dob44	DATE 15/01/2019	DRAWING TITLE Assemblage Moyeux			
CHECKED BY XXX	DATE xxx	SIZE A3	DRAWING NUMBER		REV X
DESIGNED BY XXX	DATE xxx	SCALE 1:1	WEIGHT (kg) 0,00	SHEET 1/1	