

D

C

B

A

4

4

3

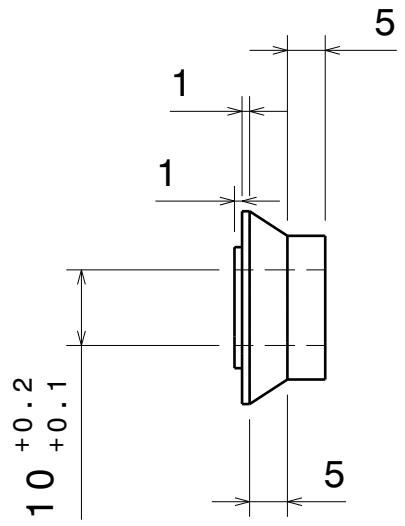
3

2

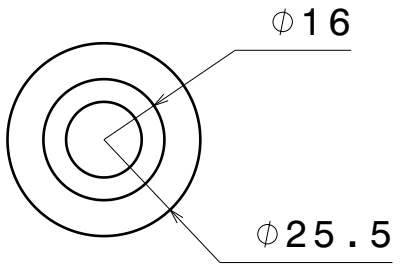
2

1

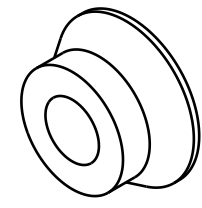
1



Front view
Scale: 1:1



Left view
Scale: 1:1



Isometric view
Scale: 1:1

Note :
Toutes les cotes sont en mm
Tolérance général = ±0,2mm sauf indication contrainte

DRAWN BY Dob44		DATE 15/01/2019		DRAWING TITLE Spacer de Moyeux			
CHECKED BY XXX		DATE XXX		SIZE A4	DRAWING NUMBER		REV X
DESIGNED BY XXX		DATE XXX		SCALE 1:1	WEIGHT(kg) 0,00	SHEET 1/1	

D

A