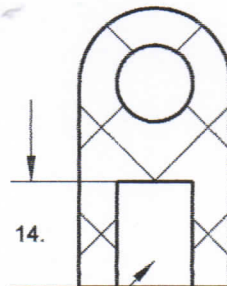
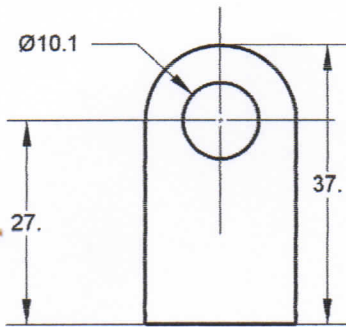
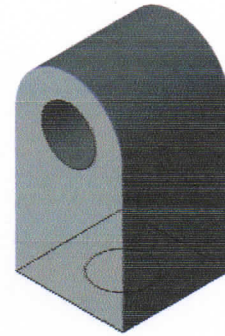
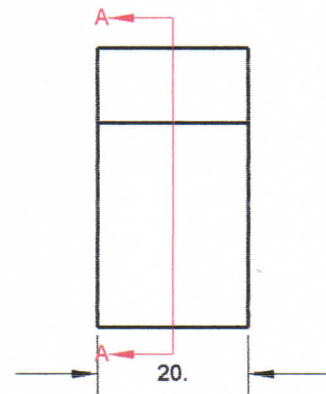


Trou fileté M10



Trou fileté M10



Coupe A-A

Unless Otherwise Specified: Dimensions in Inches Tolerances: Fractional ± Angular: Mach ± Bend ± Two Place Decimal ± Three Place Decimal ±		Finish	Debur and Break Sharp Edges	Do Not Scale Drawing	
			MARIN		
			<Project>		
			<Description>		
Drawn	Name	Date	Comments CAD Generated Drawing Do Not Manually Update	Size	Drawing No.
Checked				A4	0001
ENG Appr.				Scale	1:1
MFR Appr.				CAD File	
QA				Sheet	1 of 1
			Material	Rev	A