

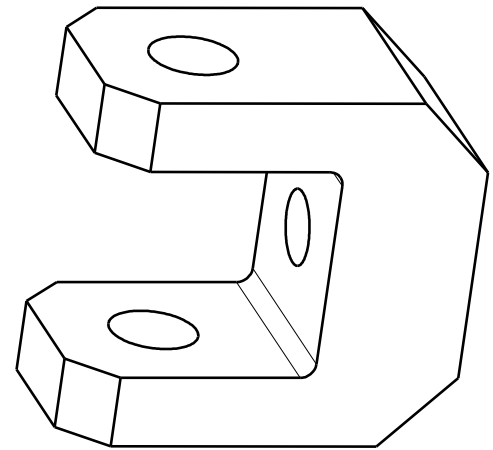
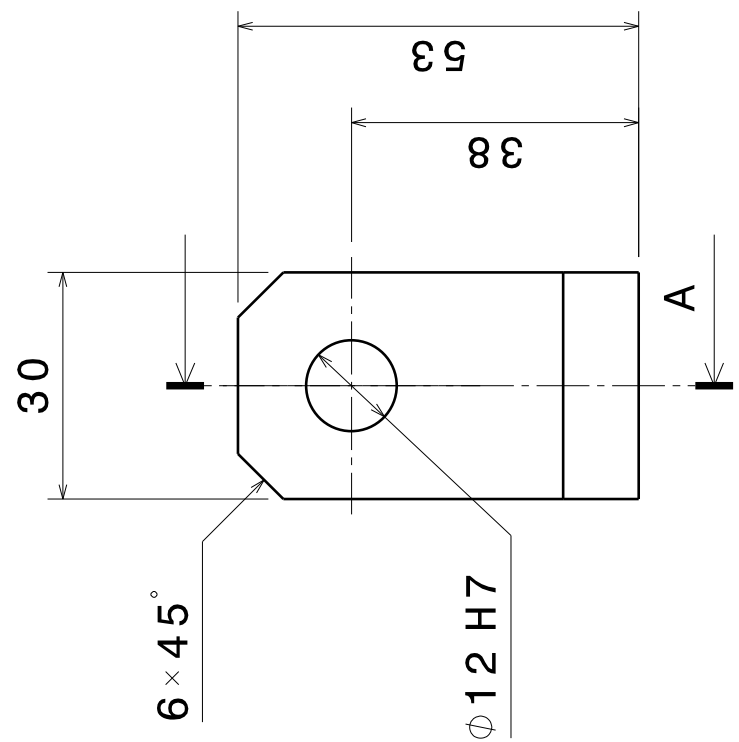
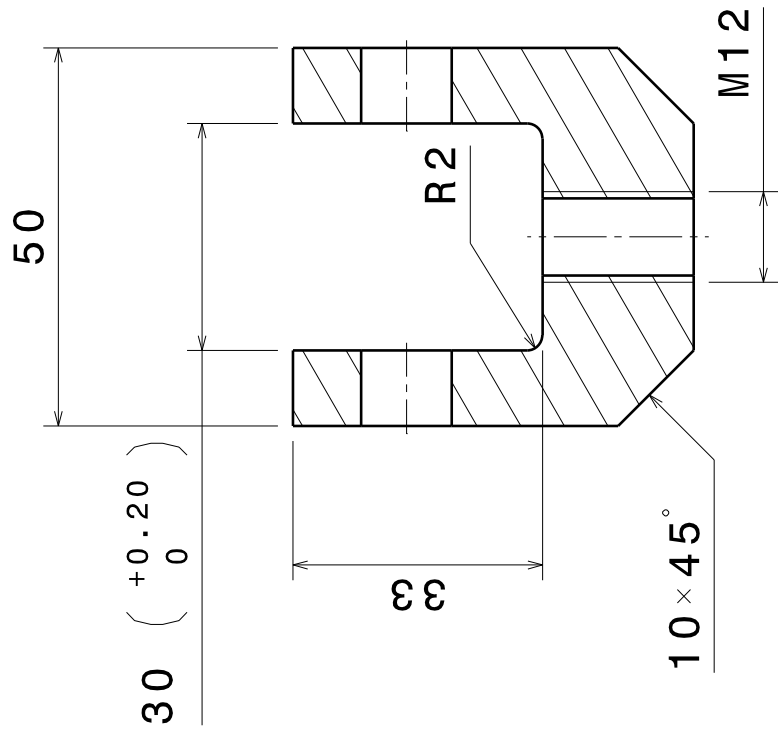
4 3 2 1

α

ω

δ

Α



DESIGNED BY: J-B ESCRIVA		
DATE: 14/01/2019		
CHECKED BY: XXX		
DATE: XXX		
SIZE A4		
SCALE 1:1	WEIGHT (kg) XXX	

FOURCHETTE		DRAWING NUMBER	
		XXX	
BIELLETTE REGLABLE XT 600		SHEET	
		1/1	

I	-
H	-
G	-
F	-
E	-
D	-
C	-
B	-
A	-

This drawing is our property; it can't be reproduced or communicated without our written agreement.

Α

Δ

4 3 2 1