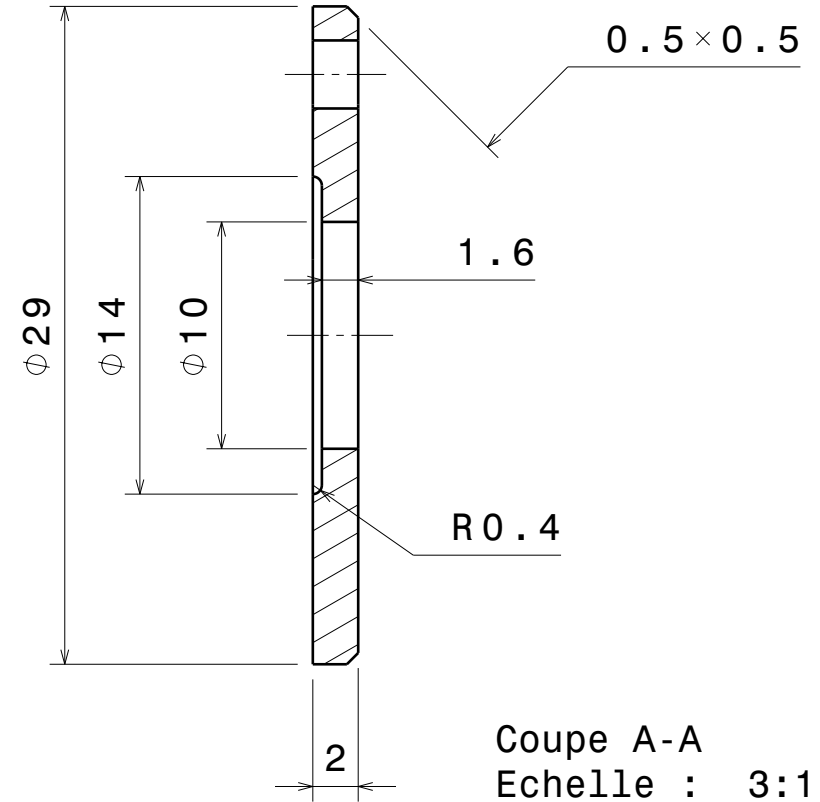
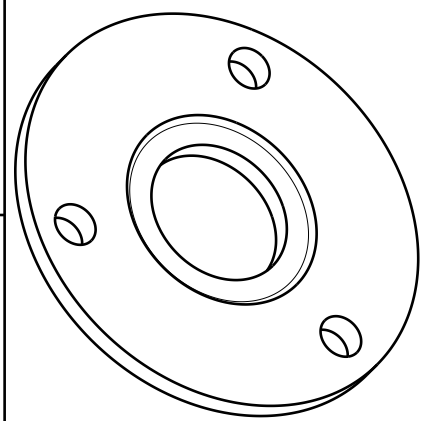


Vue de face
Echelle : 3:1



Coupe A-A
Echelle : 3:1



Vue isométrique
Echelle : 2:1

DESIGNED BY: Godefroy FERRAND				I	-
DATE: 16/08/2018				H	-
Tolérance générale : +/- 0.05				G	-
SIZE A4		PV3e ESTACA		F	-
SCALE 3:2	Matière : Aluminium			E	-
DRAWING NUMBER		Cupelle AAC		D	-
SHEET 1/1				C	-
This drawing is our property; it can't be reproduced or communicated without our written agreement.				B	-
				A	-

D

A